

www.davidhailant.com

David Hailant

Sheet: /

File: uc\_divider.sch

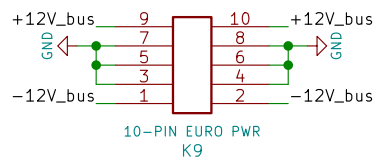
**Title: UC Clock Divider**

Size: A4 | Date: 2021-06-28

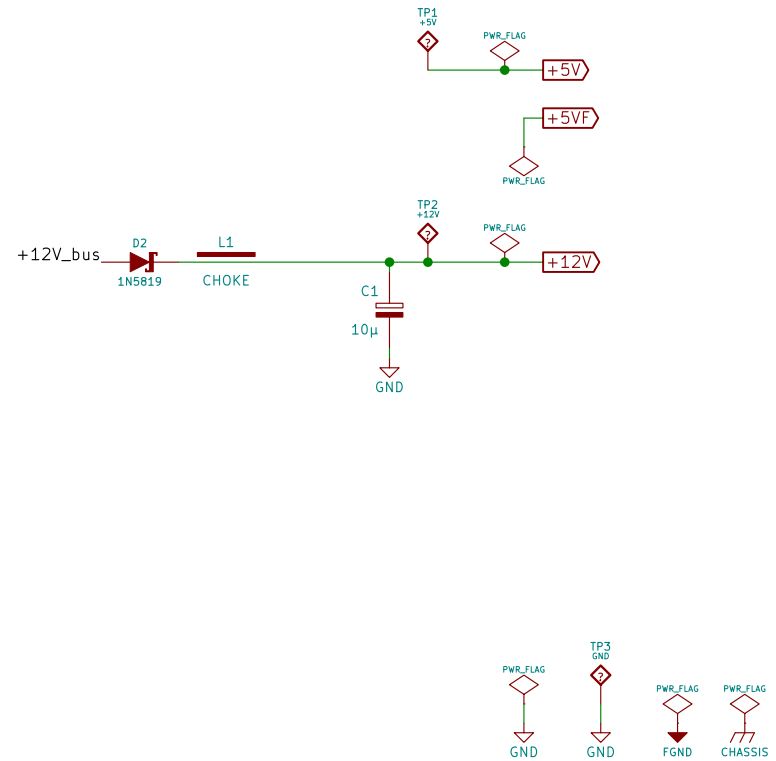
Rev: 0.2

KiCad E.D.A. kicad 5.1.10-88a1d61d5888ubuntu20.04.1

Id: 1/5



Schottky Diode 1A  
I<sub>r</sub> 1mA max



www.davidhailant.com

David Hailant

Sheet: /Power Supply/

File: power.sch

**Title: UC Clock Divider**

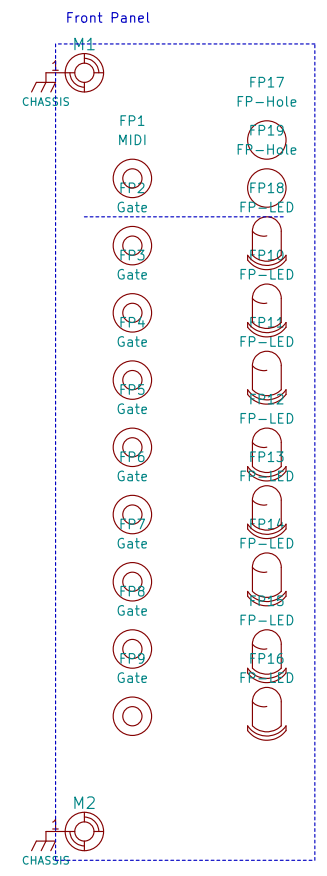
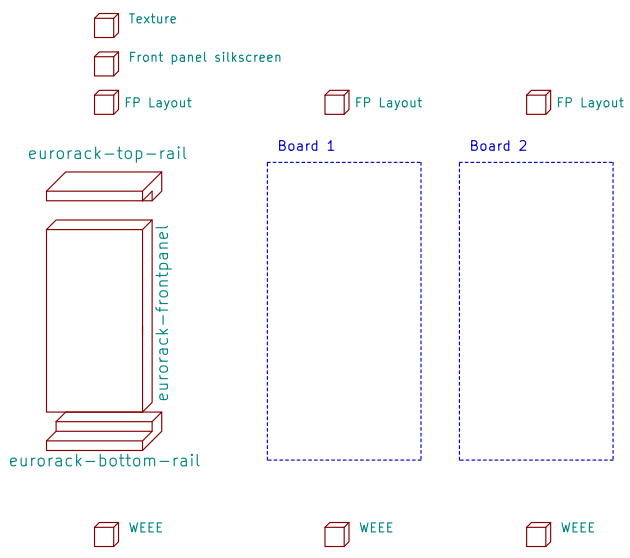
Size: A4

Date: 2021-06-28

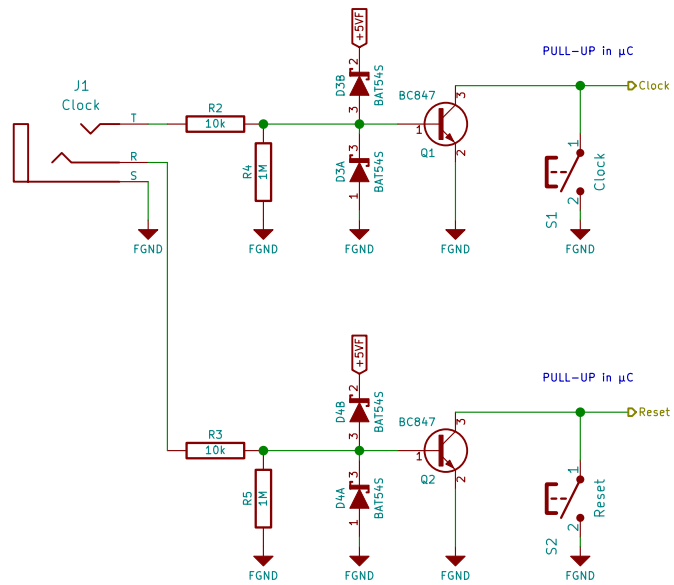
Rev: 0.2

KiCad E.D.A. kicad 5.1.10-88a1d61d5888ubuntu20.04.1

Id: 2/5



www.davidhailant.com		
David Hailant		
Sheet: /Front Panel/ File: frontpanel.sch		
<b>Title: UC Clock Divider</b>		
Size: A4	Date: 2021-06-28	Rev: 0.2
KiCad E.D.A. kicad 5.1.10-88a1d61d5888ubuntu20.04.1		Id: 3/5



www.davidhailant.com

David Hailant

Sheet: /Inputs/

File: digital\_inputs.sch

**Title: UC Clock Divider**

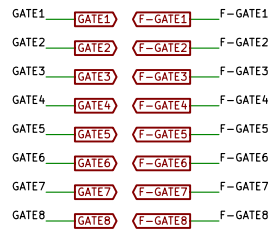
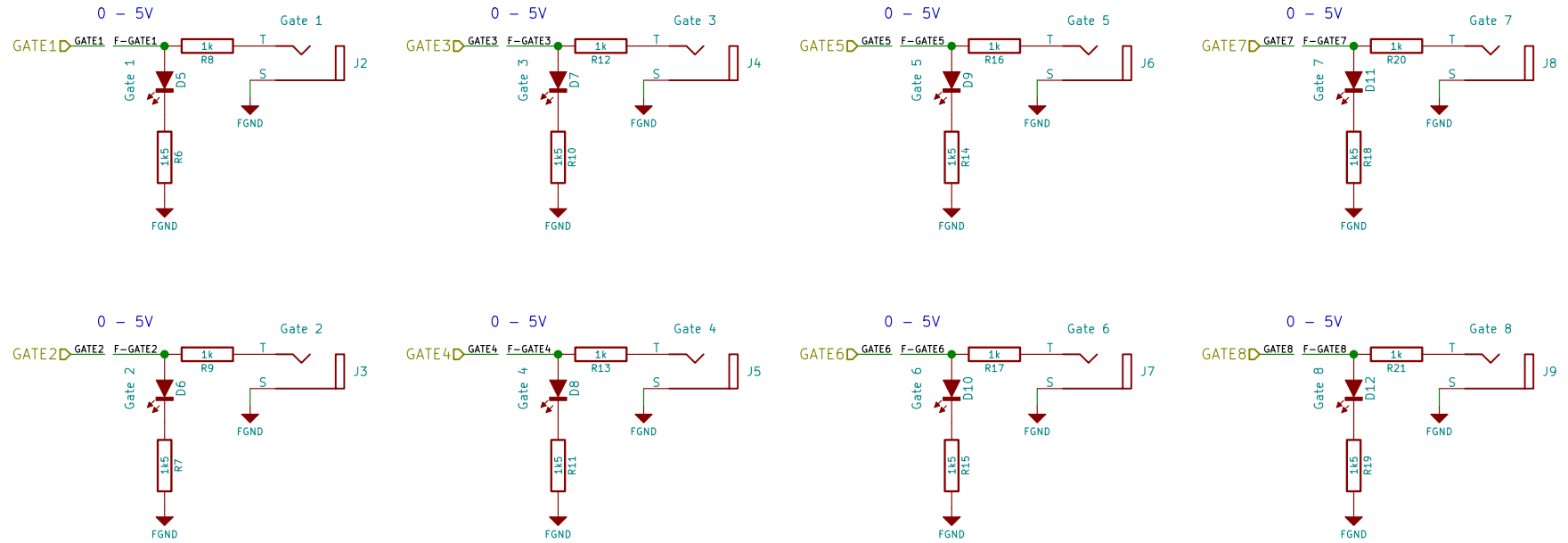
Size: A4

Date: 2021-06-28

Rev: 0.2

KiCad E.D.A. kicad 5.1.10-88a1d61d5888ubuntu20.04.1

Id: 4/5



www.davidhailant.com

David Hailant

Sheet: /Gate Outputs/

File: gate\_out.sch

**Title: UC Clock Divider**

Size: A4

Date: 2021-06-28

Rev: 0.2

KiCad E.D.A. kicad 5.1.10-88a1d61d5888ubuntu20.04.1

Id: 5/5