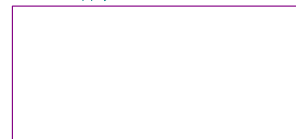


Power Supply



File: power.sch

Front Panel



File: frontpanel.sch

- FP Layout
- FP Layout

See <https://github.com/josbouten/Tune-O-Matic>

**David Haillant**

Sheet: /

File: tuner.sch

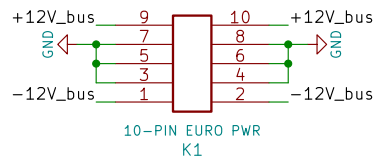
**Title: Tuner**

Size: A4 Date: 2020-02-10

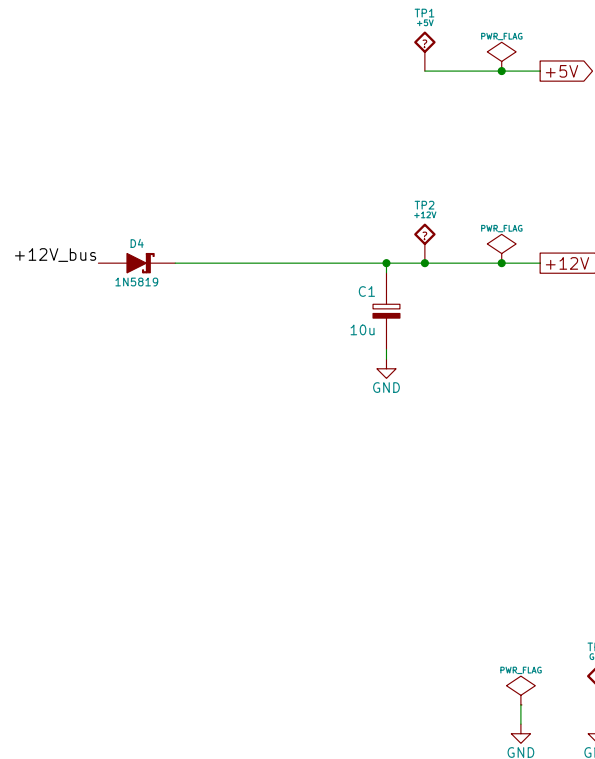
KiCad E.D.A. kicad 6.0.7-f9a2dced07-116-ubuntu20.04.1

**Rev: 0.1**

Id: 1/3



Schottky Diode 1A  
Ir 1mA max



See <https://github.com/josbouten/Tune-0-Matic>

**David Haillant**

Sheet: /Power Supply/

File: power.sch

**Title: Tuner**

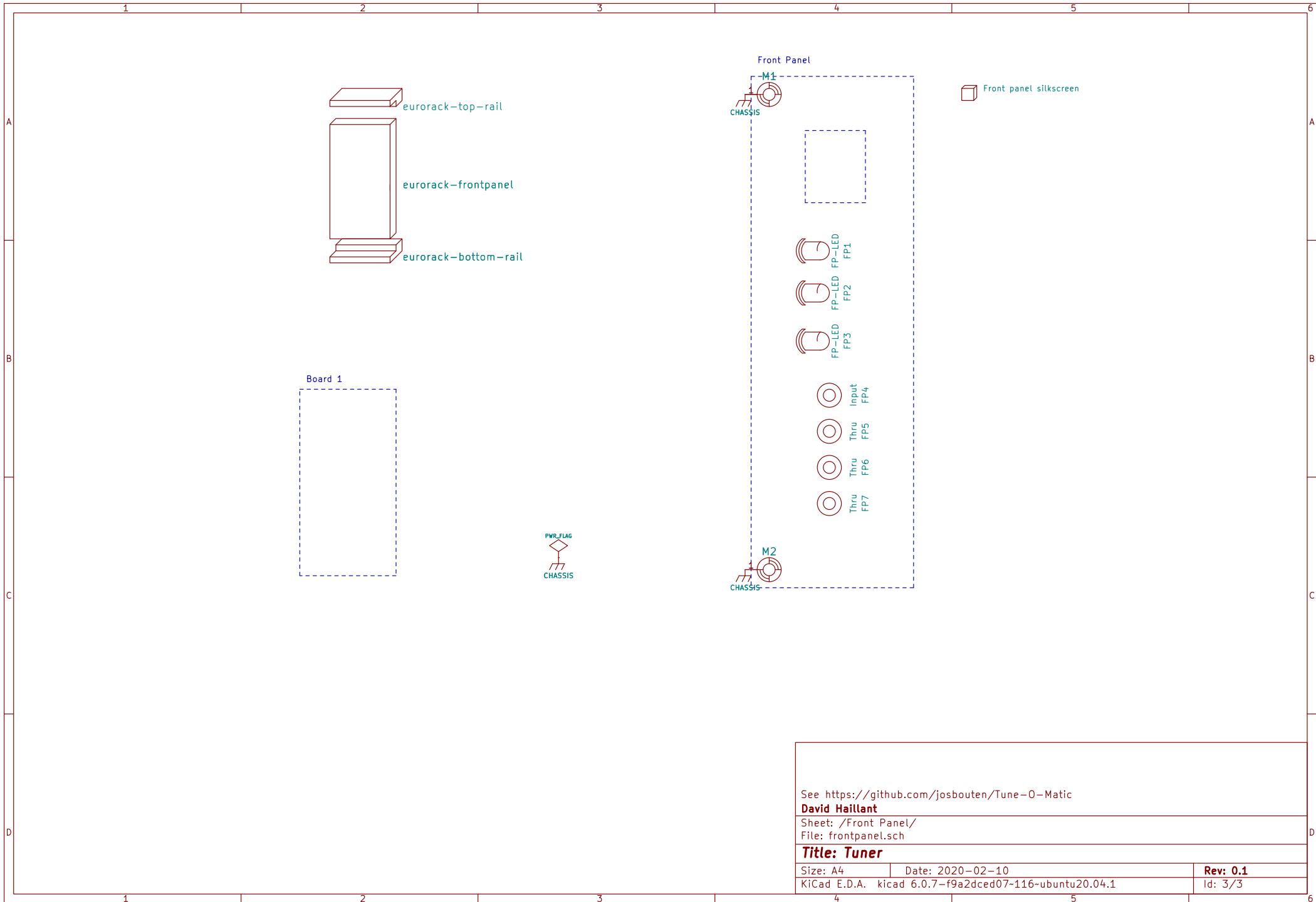
Size: A4

Date: 2020-02-10

Rev: 0.1

KiCad E.D.A. kicad 6.0.7-f9a2dced07-116-ubuntu20.04.1

Id: 2/3



See <https://github.com/josbouten/Tune-0-Matic>

**David Hailant**

Sheet: /Front Panel/

File: frontpanel.sch

**Title: Tuner**

Size: A4      Date: 2020-02-10  
 KiCad E.D.A. kicad 6.0.7-f9a2dced07-116-ubuntu20.04.1

**Rev: 0.1**  
 Id: 3/3