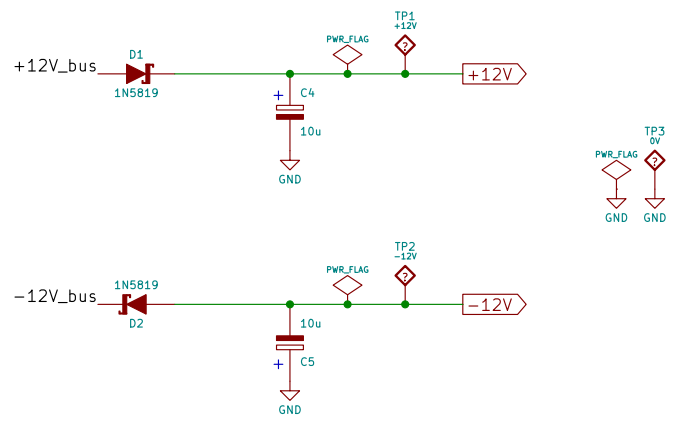
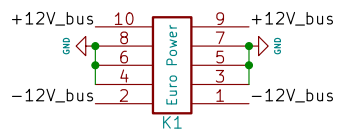


Revision History
 1.0 - Release
 0.2 - Output stage updated
 + removed bipolar series capacitor
 + added 1M resistor for DC offset compensation
 + added 1k output resistor for SC protection
 0.1 - Initial Release
 + Imported from DM77 1.0

www.davidhailant.com	
David Hailant	
Sheet: /	
File: simple vca.kicad_sch	
Title: Simple VCA	
Size: A4	Date: 2022-05-03
KiCad E.D.A. kicad 6.0.4-6f826c9f35-116-ubuntu20.04.1	Rev: 1.0
	Id: 1/3



www.davidhailant.com

David Hailant

Sheet: /Power/

File: power.kicad_sch

Title: Simple VCA

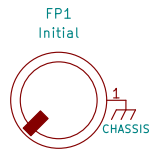
Size: A4 Date: 2022-05-03

KiCad E.D.A. kicad 6.0.4-6f826c9f35-116-ubuntu20.04.1

Rev: 1.0

Id: 2/3

FP Silkscreen



FP2
CV



FP3
Input



FP4
Input



FP5
Input



FP6
Output



www.davidhailant.com

David Hailant

Sheet: /Front panel/

File: frontpanel.kicad_sch

Title: Simple VCA

Size: A4

Date: 2022-05-03

Rev: 1.0

KiCad E.D.A. kicad 6.0.4-6f826c9f35-116-ubuntu20.04.1

Id: 3/3