

Front panel
 File: frontpanel.kicad_sch

Power
 File: euro_power_10.kicad_sch

Hardware
 File: hardware.kicad_sch

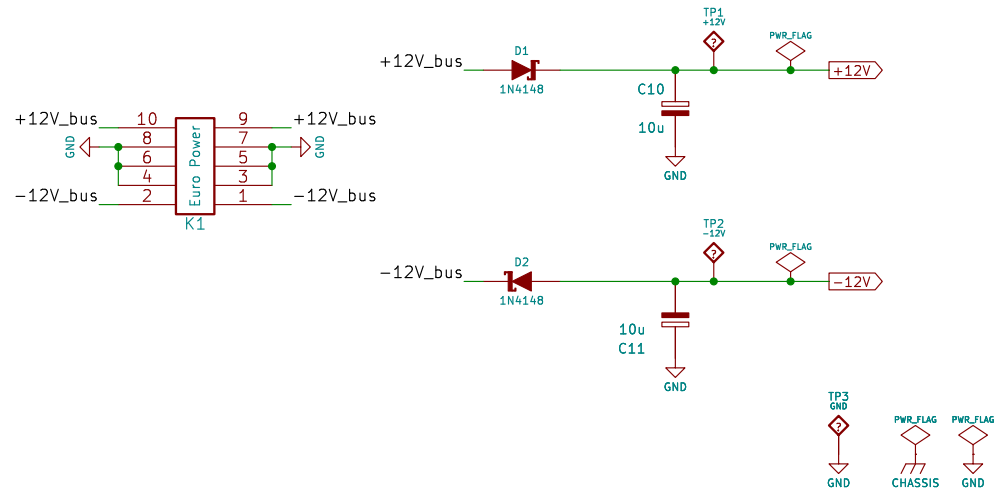
www.davidhailant.com
David Hailant

Sheet: /
 File: moog-hi-pass-ladder.kicad_sch

Title: Moog High-Pass Ladder Filter Clone

Size: A4 Date: 2023-07-23
 KiCad E.D.A. kicad 7.0.8-7.0.8-ubuntu20.04.1

Rev: 0.2
 Id: 1/4



www.davidhailant.com

David Hailant

Sheet: /Power/

File: euro_power_10.kicad_sch

Title: Moog High-Pass Ladder Filter Clone

Size: A4

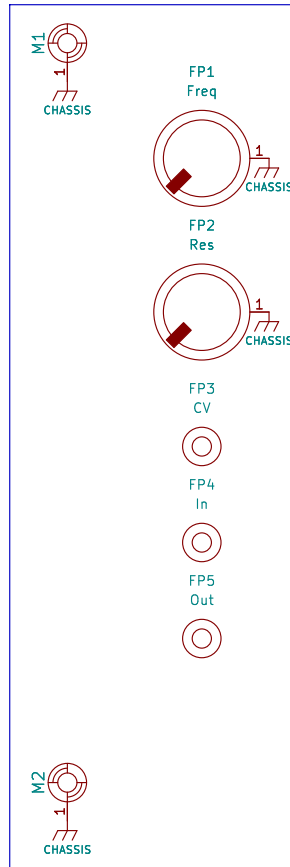
Date: 2023-07-23

Rev: 0.2

KiCad E.D.A. kicad 7.0.8-7.0.8-ubuntu20.04.1

Id: 2/4

-  FP Silkscreen
-  FP Texture



www.davidhailant.com

David Hailant

Sheet: /Front panel/

File: frontpanel.kicad_sch

Title: Moog High-Pass Ladder Filter Clone

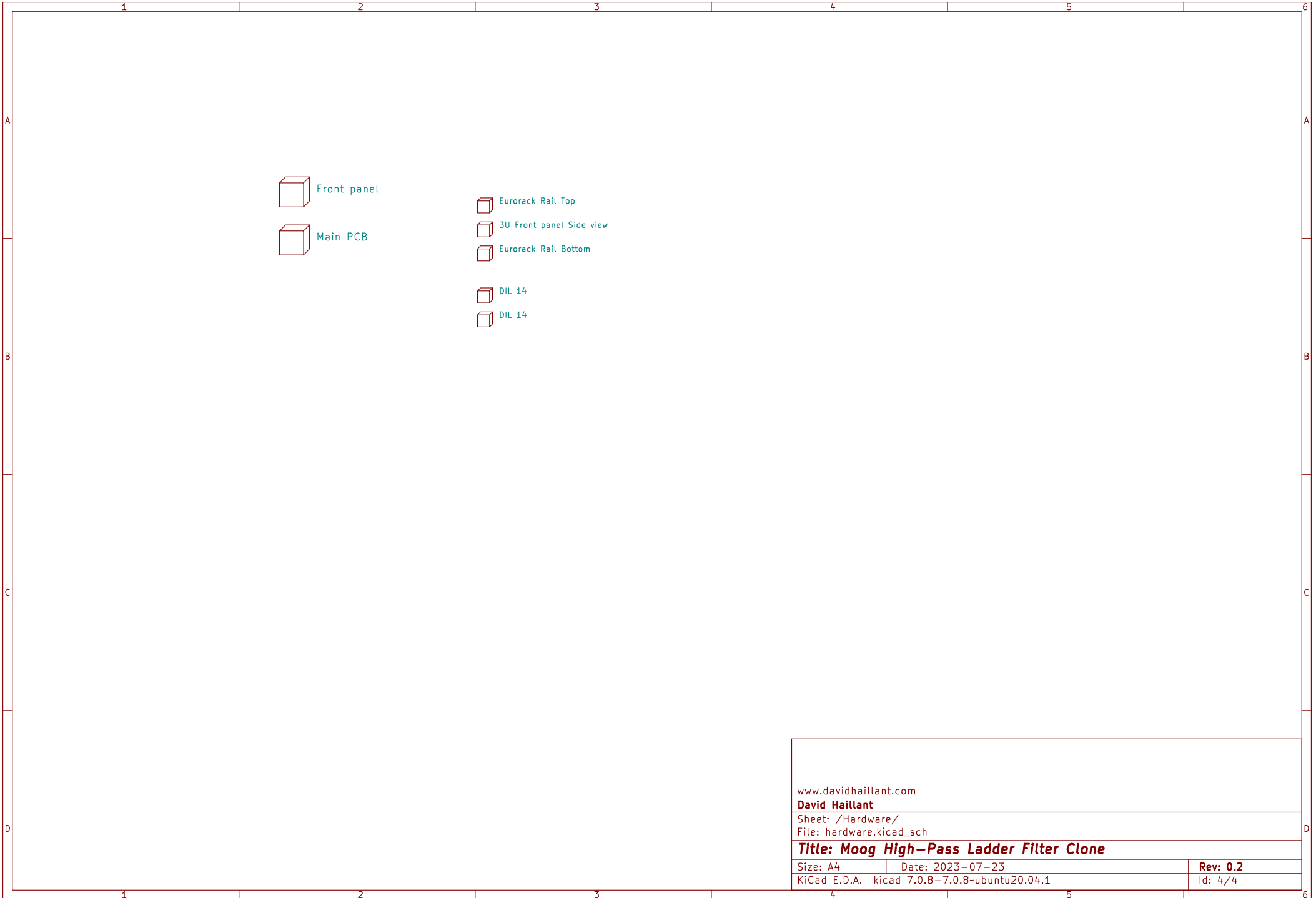
Size: A4

Date: 2023-07-23

Rev: 0.2

KiCad E.D.A. kicad 7.0.8-7.0.8-ubuntu20.04.1

Id: 3/4



Front panel



Main PCB



Eurorack Rail Top



3U Front panel Side view



Eurorack Rail Bottom



DIL 14



DIL 14

www.davidhailant.com

David Hailant

Sheet: /Hardware/

File: hardware.kicad_sch

Title: Moog High-Pass Ladder Filter Clone

Size: A4

Date: 2023-07-23

Rev: 0.2

KiCad E.D.A. kicad 7.0.8-7.0.8-ubuntu20.04.1

Id: 4/4