

Sheet: Front panel

File: frontpanel.sch

Sheet: Power

File: euro_power_10.sch

Sheet: Hardware

File: hardware.sch

<https://www.davidhailant.com>

David Hailant

Sheet: /

File: moog-hi-pass-ladder.sch

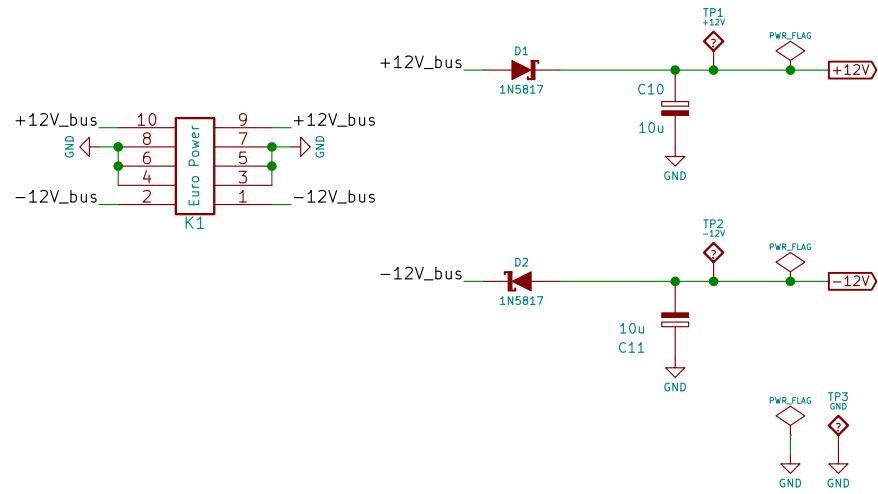
Title: Moog High-Pass Ladder Filter Clone

Size: A4 Date: 2019-04-01

KiCad E.D.A. kicad 5.1.9-73d0e3b20d88ubuntu20.04.1

Rev: 0.1

Id: 1/4



<https://www.davidhailant.com>

David Hailant

Sheet: /Power/

File: euro_power_10.sch

Title: Moog High-Pass Ladder Filter Clone

Size: A4 Date: 2019-04-01

Rev: 0.1

KiCad E.D.A. kicad 5.1.9-73d0e3b20d88ubuntu20.04.1

Id: 2/4



Front panel



Main PCB



I/O PCB



Eurorack Rail Top



3U Front panel Side view



Eurorack Rail Bottom



DIL 14



DIL 14

<https://www.davidhailant.com>

David Hailant

Sheet: /Hardware/

File: hardware.sch

Title: Moog High-Pass Ladder Filter Clone

Size: A4

Date: 2019-04-01

Rev: 0.1

KiCad E.D.A. kicad 5.1.9-73d0e3b20d88ubuntu20.04.1

Id: 3/4

FP Silkscreen



FP1
Freq



FP2
Res



FP3
CV



FP4
In



FP5
Out



<https://www.davidhailant.com>

David Hailant

Sheet: /Front panel/

File: frontpanel.sch

Title: Moog High-Pass Ladder Filter Clone

Size: A4

Date: 2019-04-01

Rev: 0.1

KiCad E.D.A. kicad 5.1.9-73d0e3b20d88ubuntu20.04.1

Id: 4/4