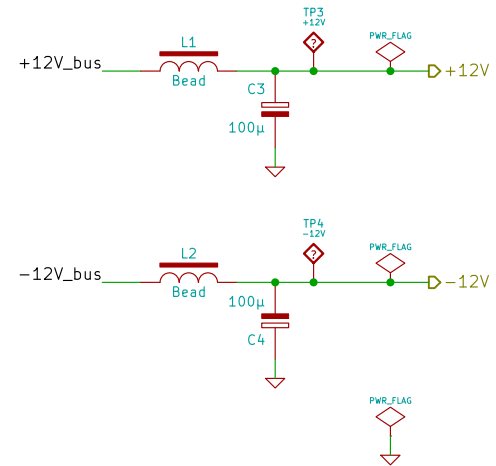
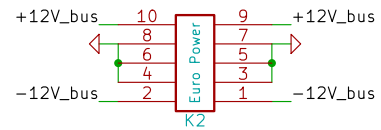


In 1 Vol 1
 In 2 Vol 2
 In 3 Vol3
 Master Vol
 Output

http://www.davidhailant.com David Hailant File: mixer.sch Sheet: /	
Title: Eurorack 3 Mono Input Mixer	
Size: A4	Date: 18 may 2015
KiCad E.D.A.	Rev: 1.0 Id: 1/2



http://www.davidhailant.com		
David Hailant		
File: euro_power_10.sch		
Sheet: /Eurorack Power Interface/		
Title:		
Size: A4	Date: 18 may 2015	Rev:
KiCad E.D.A.		Id: 2/2