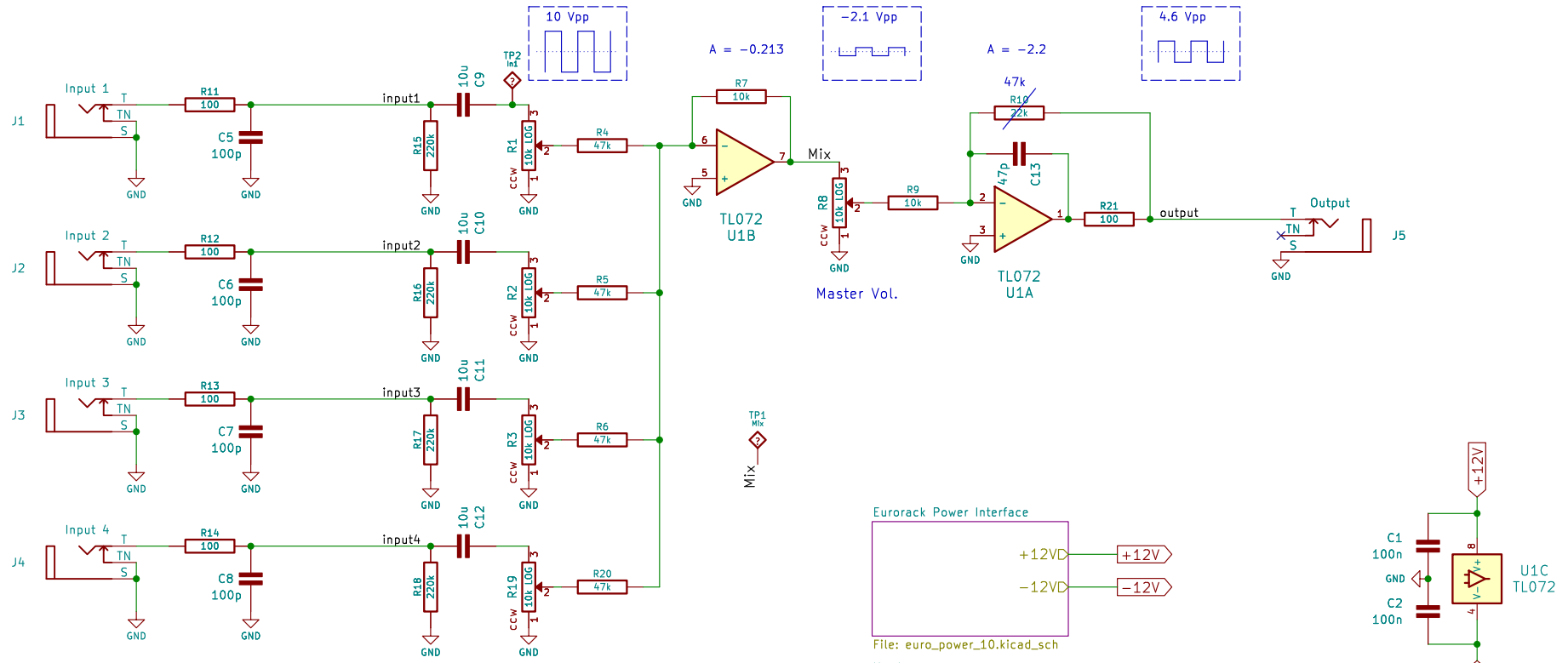


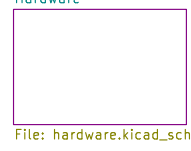
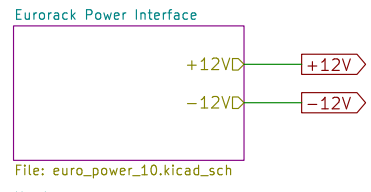
$f_c = 1/2\pi RC$   
 $f_c = 1/2\pi \cdot 100 \cdot 100p$   
 $f_c = 15.9235 \text{ MHz}$

$f_c = 1/2\pi RC$   
 $f_c = 1/2\pi \cdot 10k \cdot 10u$   
 $f_c = 1.59235 \text{ Hz}$

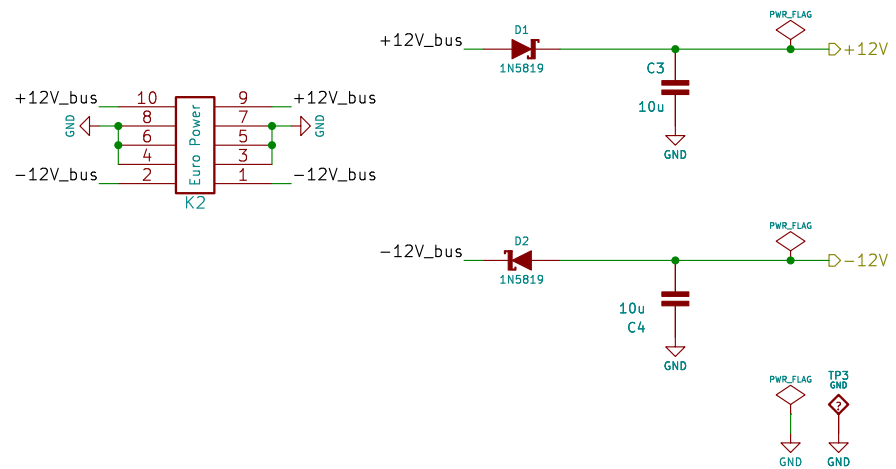
$V_{in} = 10V_{pp}$   
 $V_{mix} = -2.128V_{pp}$   
 $V_{out} = 4.6V_{pp}$   
 (46%)



In 1 Vol 1  
 In 2 Vol 2  
 In 3 Vol3  
 In4 Vol4  
 Out Master Vol



www.davidhailant.com	
<b>David Hailant</b>	
Sheet: /	
File: mixer.kicad_sch	
<b>Title: Eurorack 4 Mono Input Mixer</b>	
Size: A4	Date: 2023-06-05
KiCad E.D.A. kicad 7.0.9-7.0.9-ubuntu20.04.1	Rev: 1.0 SMD
	Id: 1/4



www.davidhailant.com

**David Hailant**

Sheet: /Eurorack Power Interface/

File: euro\_power\_10.kicad\_sch

**Title: Eurorack 4 Mono Input Mixer**

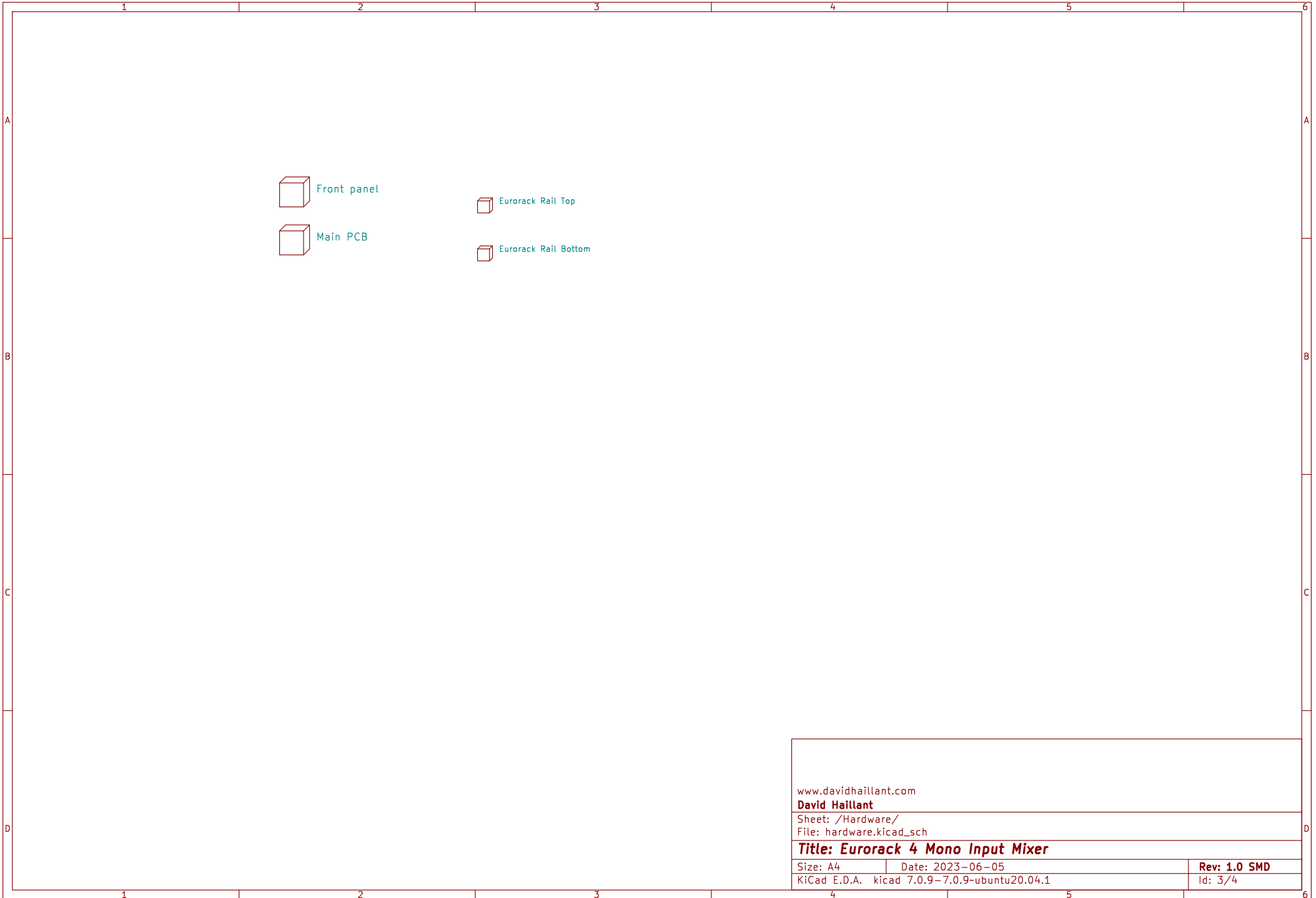
Size: A4

Date: 2023-06-05

**Rev: 1.0 SMD**

KiCad E.D.A. kicad 7.0.9-7.0.9-ubuntu20.04.1

Id: 2/4



 Front panel

 Main PCB

 Eurorack Rail Top

 Eurorack Rail Bottom

[www.davidhailant.com](http://www.davidhailant.com)

**David Hailant**

Sheet: /Hardware/

File: hardware.kicad\_sch

**Title: Eurorack 4 Mono Input Mixer**

Size: A4

Date: 2023-06-05

**Rev: 1.0 SMD**

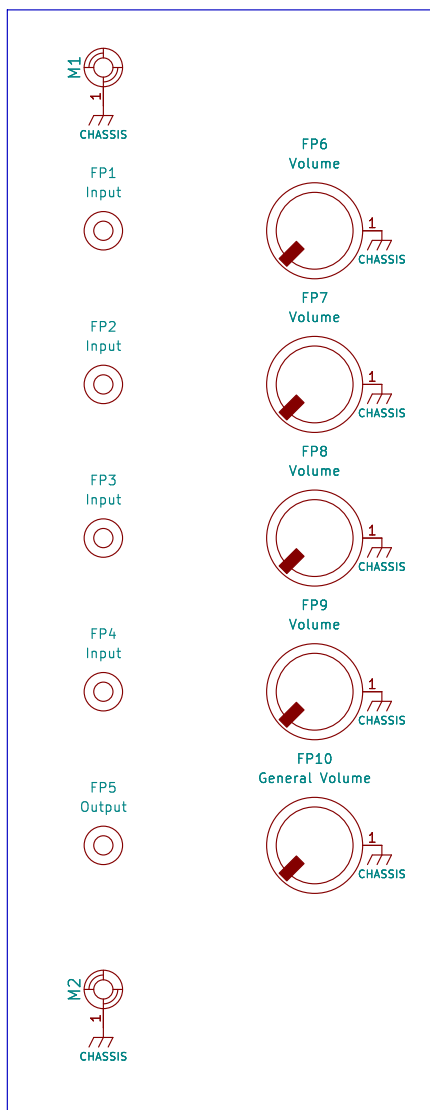
KiCad E.D.A. kicad 7.0.9-7.0.9-ubuntu20.04.1

Id: 3/4

M1 at X=7.45 Y=3.00  
M2 at X=7.45 Y=125.40

- FP Layout
- FP Silkscreen
- Texture

Potentiometer hole 7.0mm  
Jack hole 6.0mm  
texture Hatchcross



www.davidhailant.com

**David Hailant**

Sheet: /Front Panel/

File: frontpanel.kicad\_sch

**Title: Eurorack 4 Mono Input Mixer**

Size: A4

Date: 2023-06-05

Rev: 1.0 SMD

KiCad E.D.A. kicad 7.0.9-7.0.9-ubuntu20.04.1

Id: 4/4