

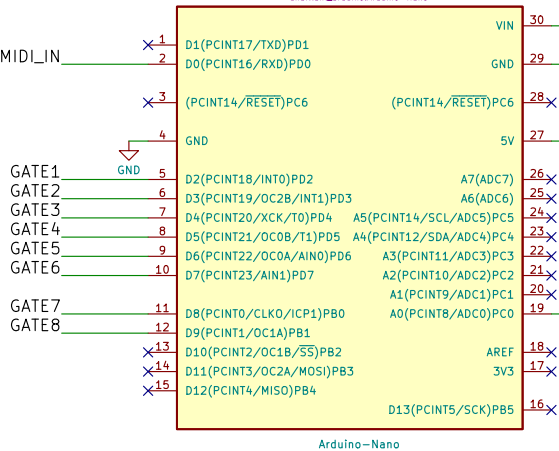
Sheet: MIDI input_port



File: midi_in_port.sch

SERIAL

MIDI_IN

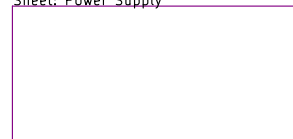


Sheet: Gate Outputs



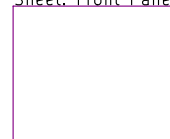
File: gate_out.sch

Sheet: Power Supply

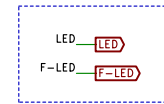


File: power.sch

Sheet: Front Panel



File: frontpanel.sch



www.davidhallant.com

David Hallant

Sheet: /

File: midi2drum.sch

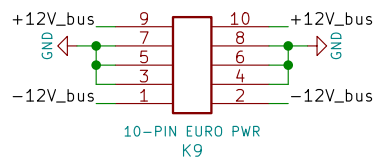
Title: MIDI 8 Digital Outputs

Size: A4 Date: 2021-05-17

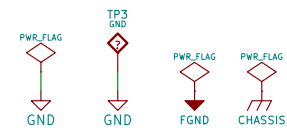
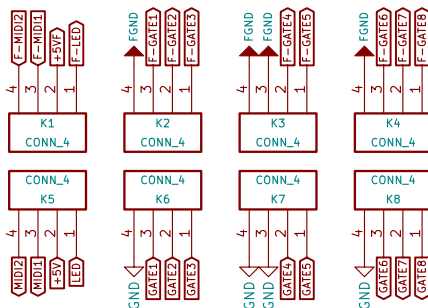
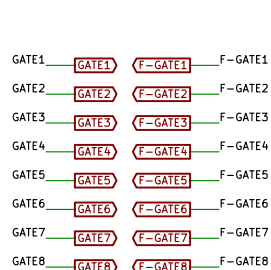
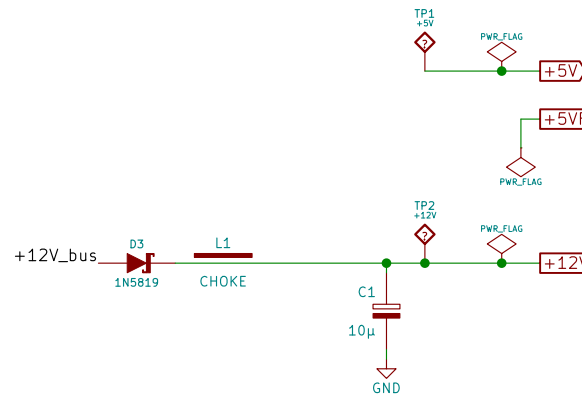
KiCad E.D.A. kicad 5.1.10-88a1d61d5890ubuntu20.04.1

Rev: 1.0

Id: 1/5



Schottky Diode 1A
I_r 1mA max



www.davidhailant.com

David Hailant

Sheet: /Power Supply/

File: power.sch

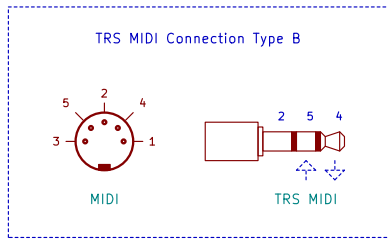
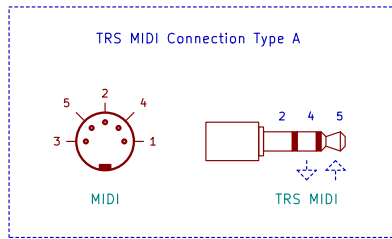
Title: MIDI 8 Digital Outputs

Size: A4 Date: 2021-05-17

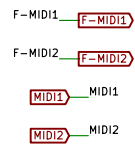
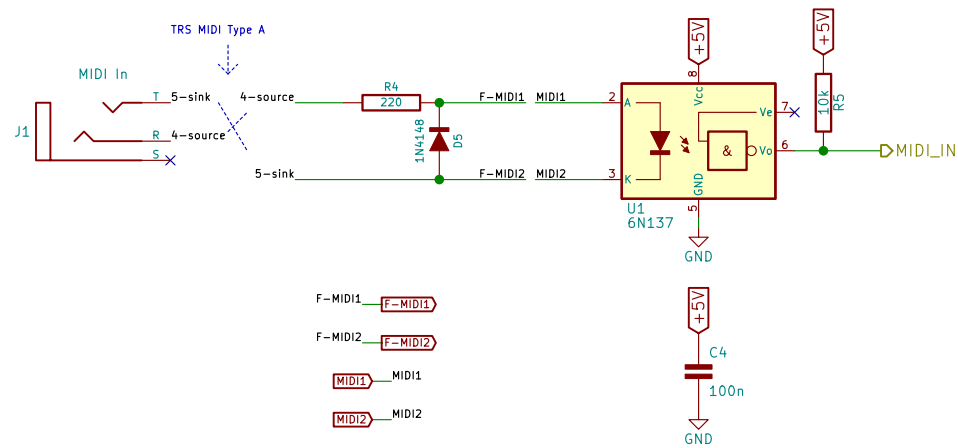
KiCad E.D.A. kicad 5.1.10-88a1d61d5890ubuntu20.04.1

Rev: 1.0

Id: 2/5



4 - current source
5 - current sink
2 - shield



www.davidhailant.com

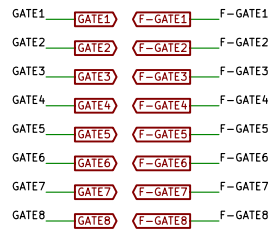
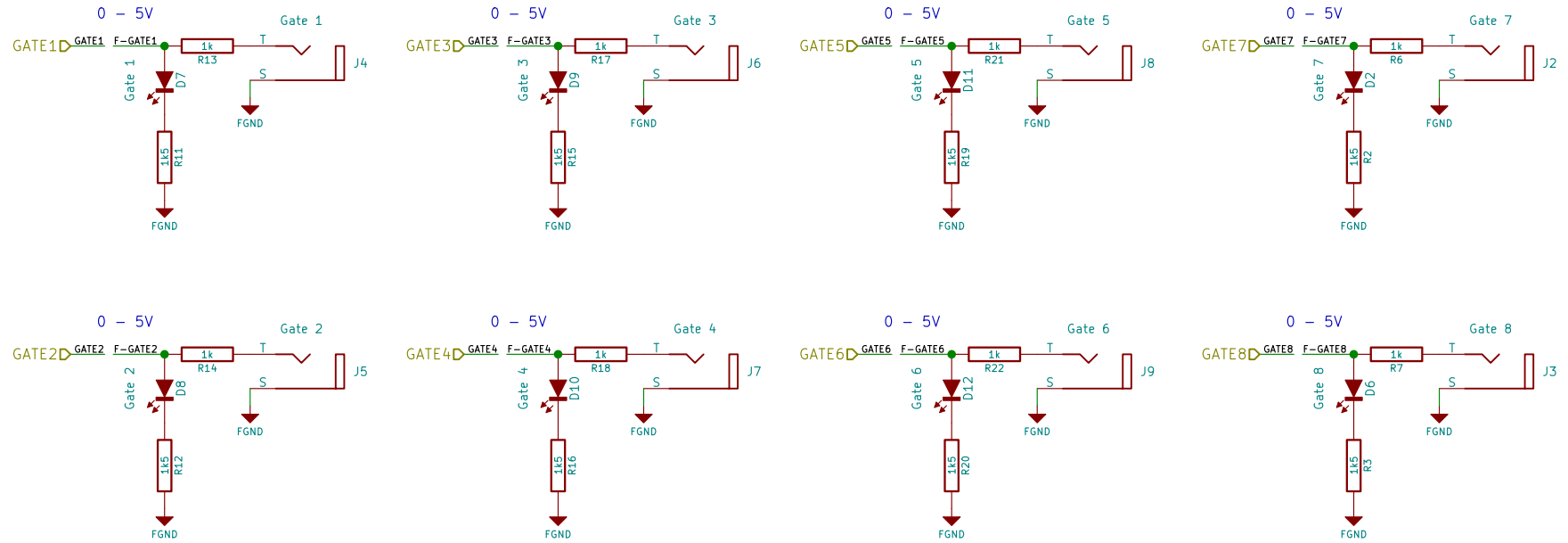
David Hailant

Sheet: /MIDI input port/
File: midi_in_port.sch

Title: MIDI 8 Digital Outputs

Size: A4 Date: 2021-05-17
KiCad E.D.A. kicad 5.1.10-88a1d61d5890ubuntu20.04.1

Rev: 1.0
Id: 3/5



www.davidhailant.com

David Hailant

Sheet: /Gate Outputs/

File: gate_out.sch

Title: MIDI 8 Digital Outputs

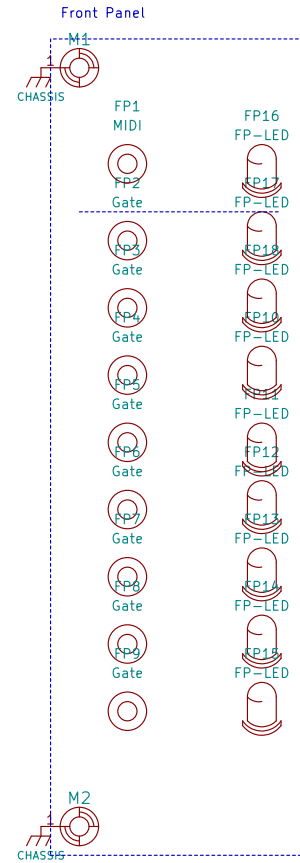
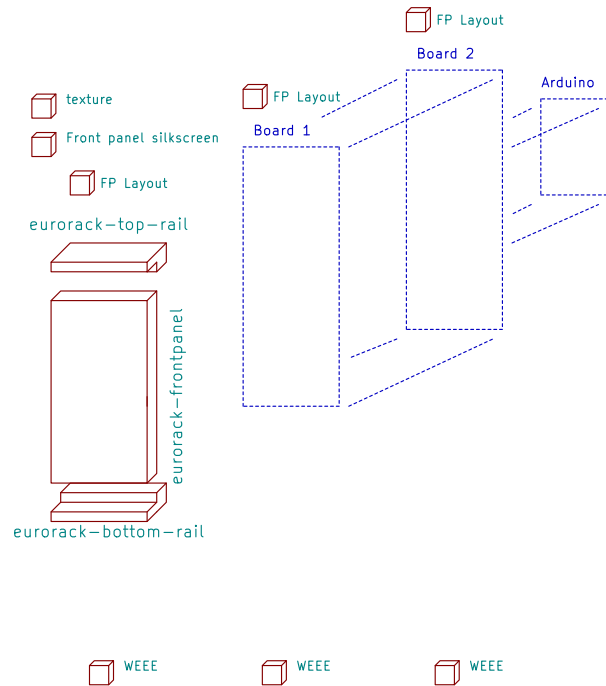
Size: A4

Date: 2021-05-17

KiCad E.D.A. kicad 5.1.1.0-88a1d61d5890ubuntu20.04.1

Rev: 1.0

Id: 4/5



www.davidhailant.com

David Hailant

Sheet: /Front Panel/

File: frontpanel.sch

Title: MIDI 8 Digital Outputs

Size: A4

Date: 2021-05-17

Rev: 1.0

KiCad E.D.A. kicad 5.1.10-88a1d61d5890ubuntu20.04.1

Id: 5/5