

Original design by Ray Wilson (Music From Outer Space)

David Haillant

Sheet: /
File: mfos-10-step-seq.sch

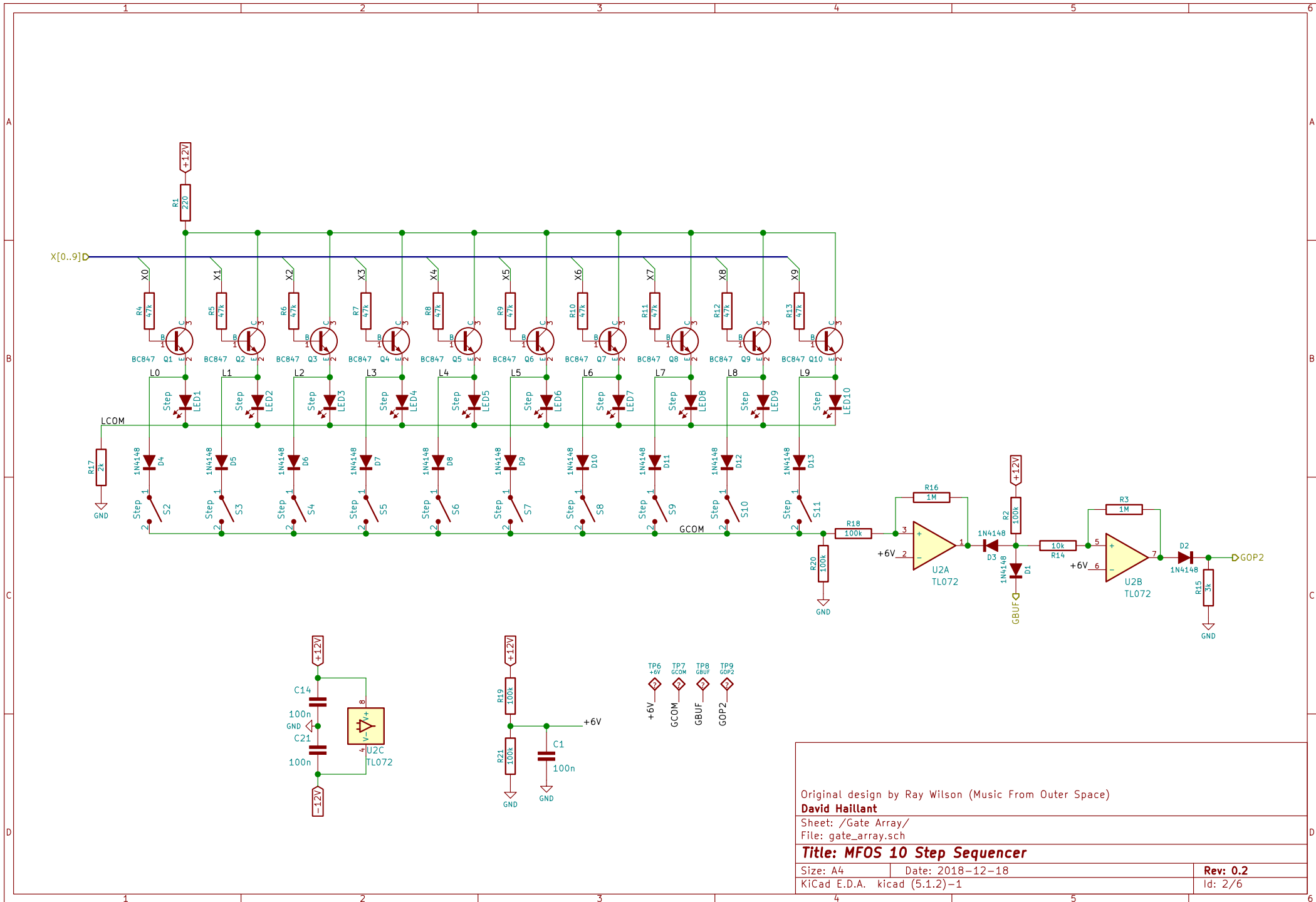
Title: MFOS 10 Step Sequencer

Size: A4 Date: 2018-12-18

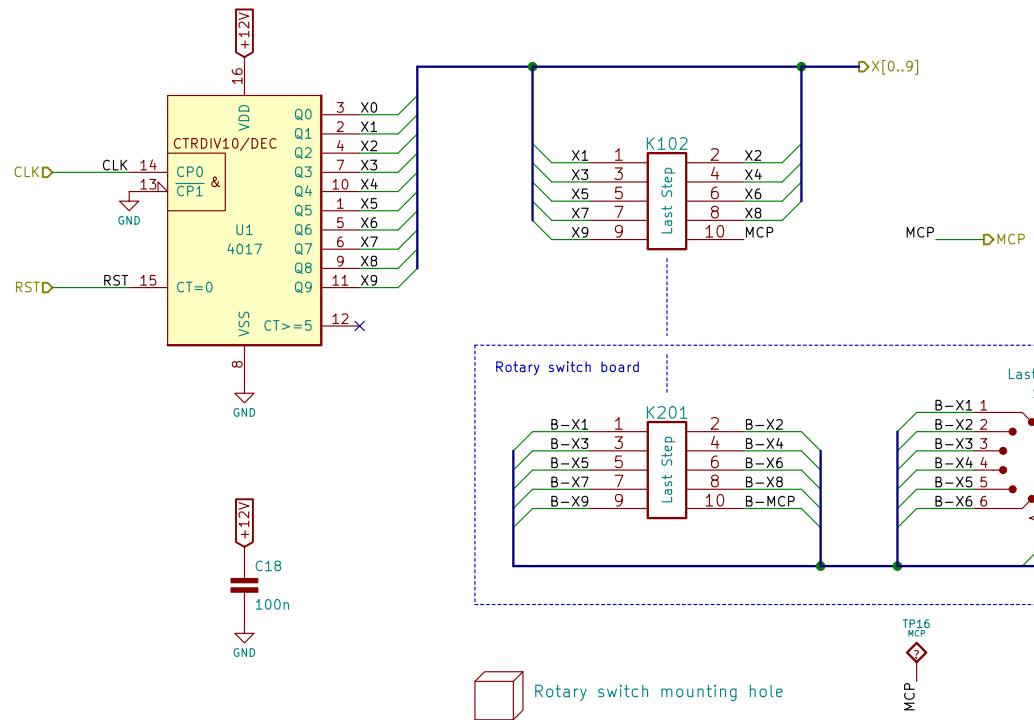
KiCad E.D.A. kicad (5.1.2)-1

Rev: 0.2

Id: 1/6



Original design by Ray Wilson (Music From Outer Space)
David Hailant
 Sheet: /Gate Array/
 File: gate_array.sch
Title: MFOS 10 Step Sequencer
 Size: A4 Date: 2018-12-18
 KiCad E.D.A. kicad (5.1.2)-1 Rev: 0.2
 Id: 2/6



Rotary switch mounting hole

Original design by Ray Wilson (Music From Outer Space)

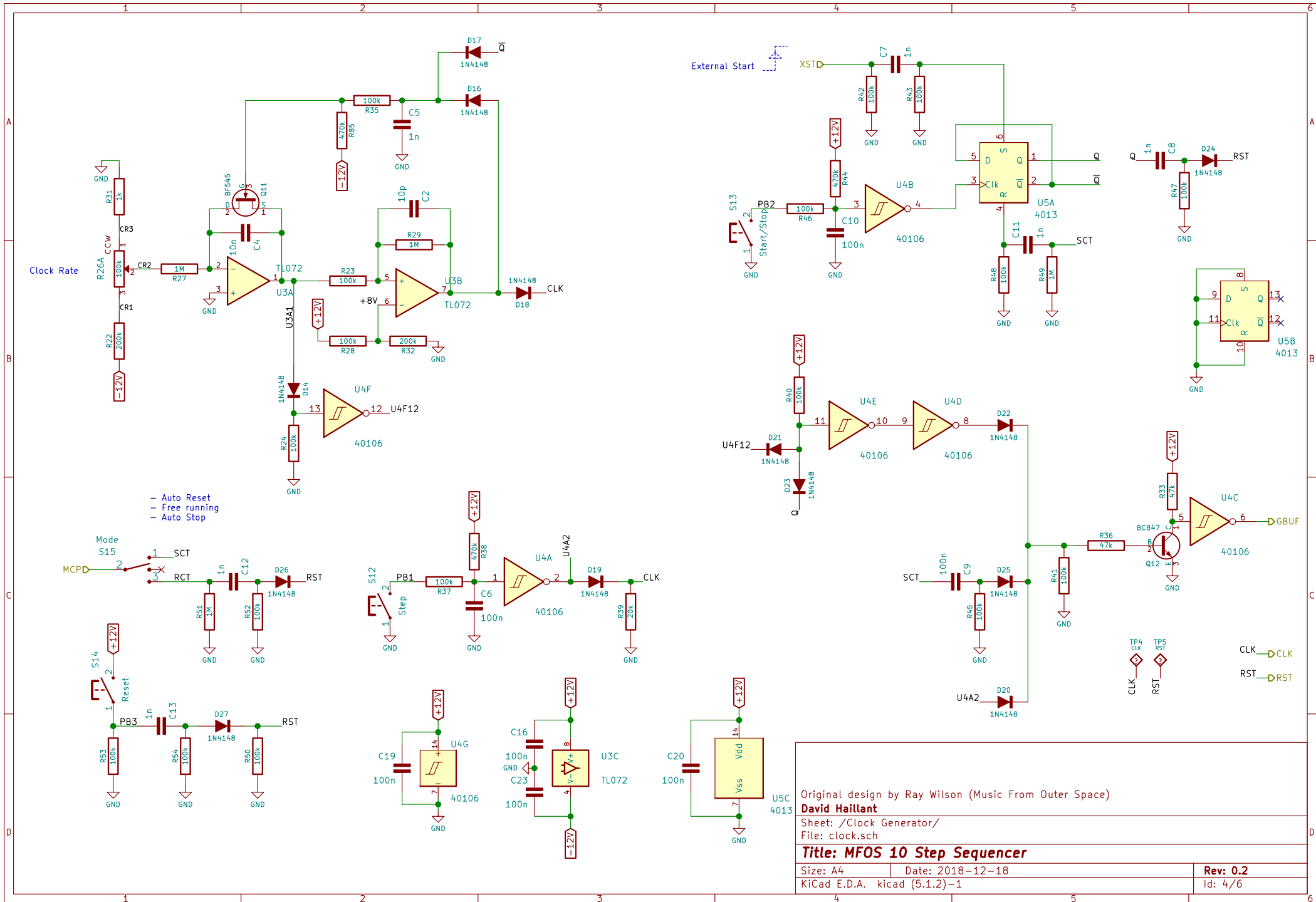
David Hailant

Sheet: /Sequencer/
File: sequencer.sch

Title: MFOS 10 Step Sequencer

Size: A4 Date: 2018-12-18
KiCad E.D.A. kicad (5.1.2)-1

Rev: 0.2
Id: 3/6



Original design by Ray Wilson (Music From Outer Space)

David Haillant

Sheet: /Clock Generator/
 File: clock.sch

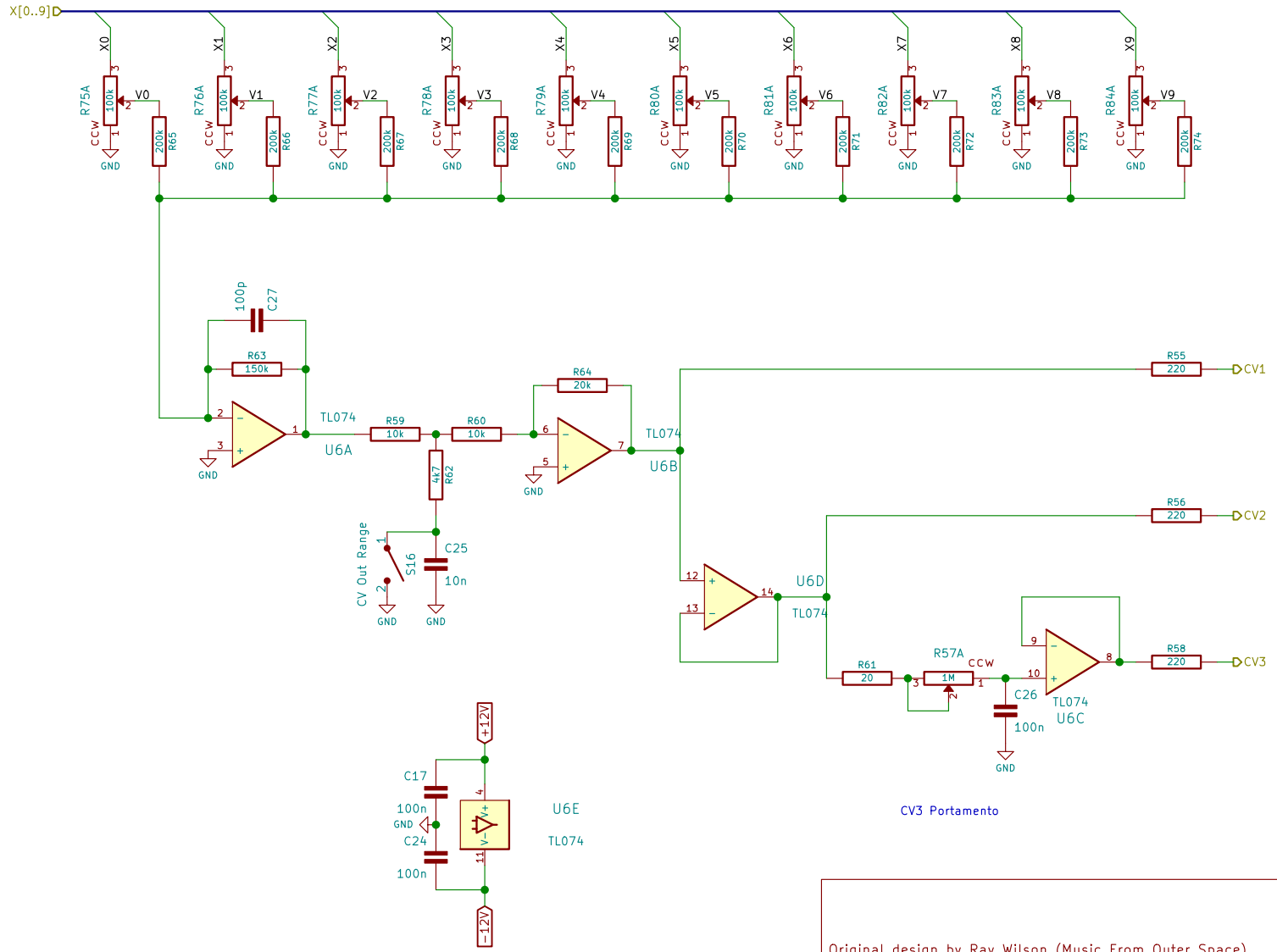
Title: MFOS 10 Step Sequencer

Size: A4 Date: 2018-12-18

KiCad E.D.A. kicad (5.1.2)-1

Rev: 0.2

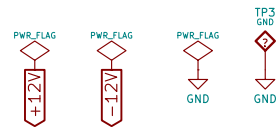
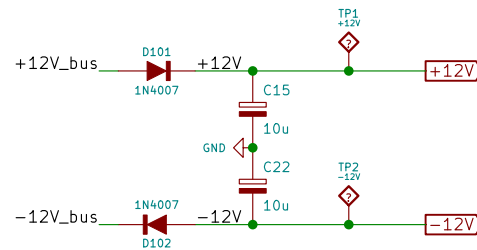
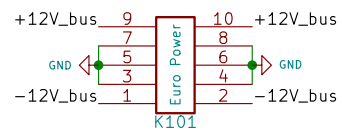
Id: 4/6



Original design by Ray Wilson (Music From Outer Space)
David Hailant
 Sheet: /CV Array/
 File: cv_array.sch

Title: MFOS 10 Step Sequencer

Size: A4	Date: 2018-12-18	Rev: 0.2
KiCad E.D.A. kicad (5.1.2)-1		Id: 5/6



Original design by Ray Wilson (Music From Outer Space)

David Hallant

Sheet: /Power/

File: power.sch

Title: MFOS 10 Step Sequencer

Size: A4 Date: 2018-12-18

Rev: 0.2

KiCad E.D.A. kicad (5.1.2)-1

Id: 6/6