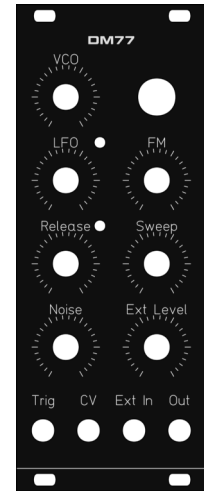
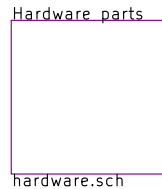
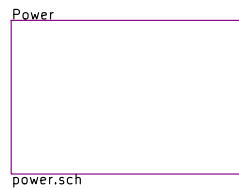
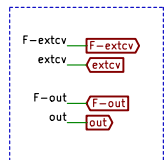
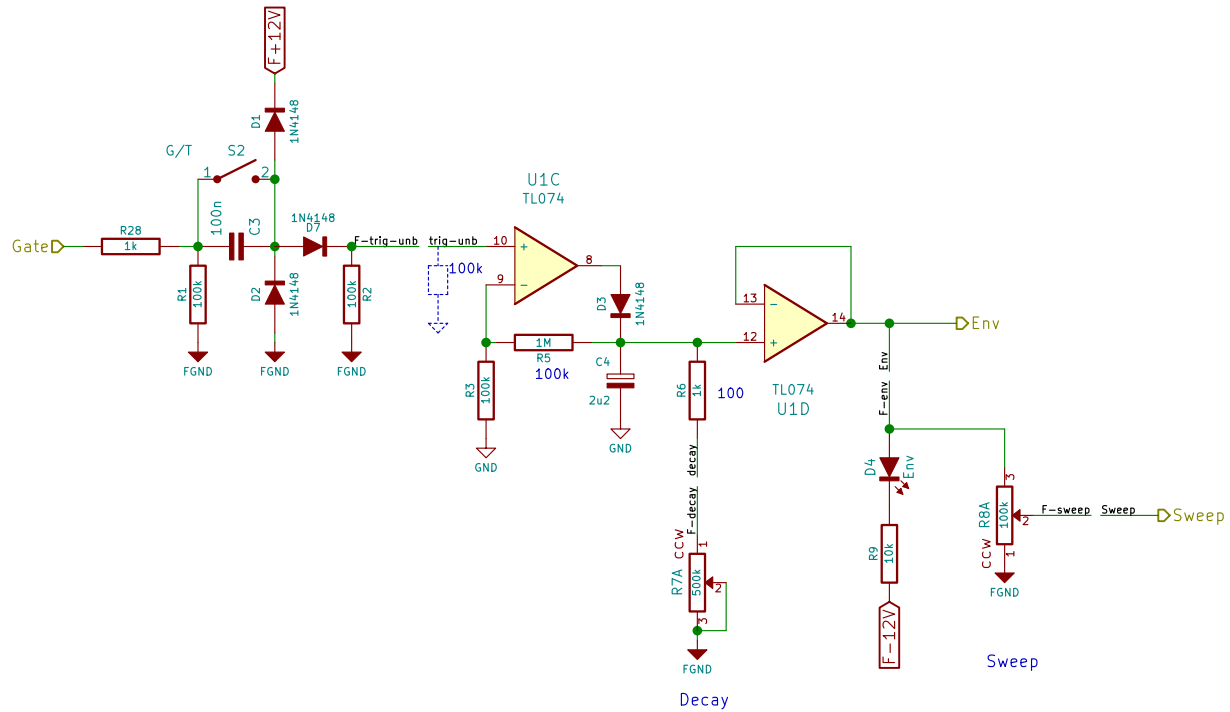


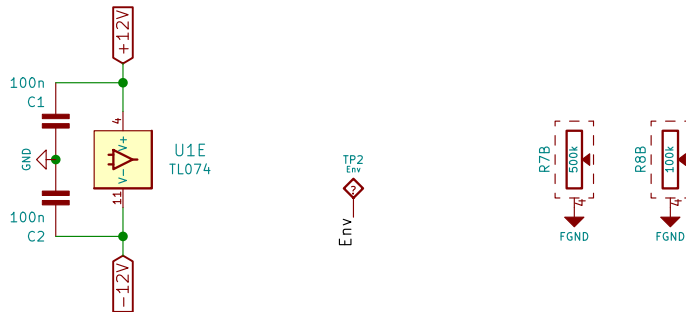
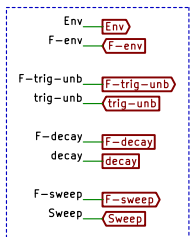
Board to board connection



David Haillant		
Sheet: /		
File: dm77.sch		
Title: Drum Module 77		
Size: A4	Date: 2019-03-12	Rev: 0.4b
KiCad E.D.A. kicad 5.1.2-f72e74a84ubuntu16.04.1		Id: 1/9



Board to board connection



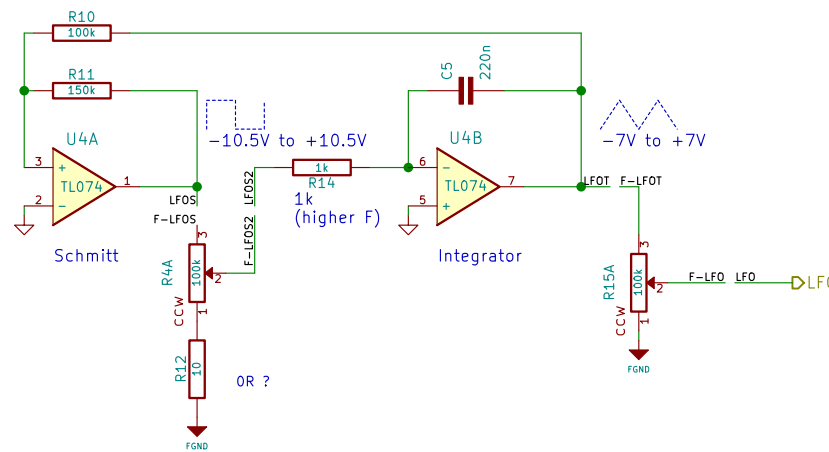
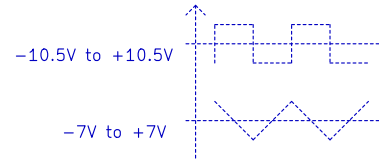
David Hailant

Sheet: /Input/
File: input.sch

Title: Drum Module 77

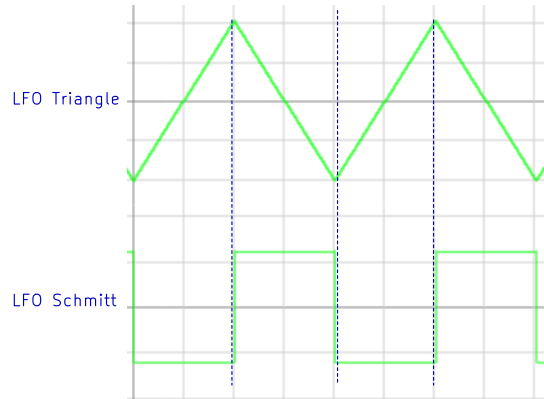
Size: A4 Date: 2019-03-12
KiCad E.D.A. kicad 5.1.2-f72e74a84ubuntu16.04.1

Rev: 0.4b
Id: 2/9

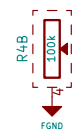


LFO Rate
100k

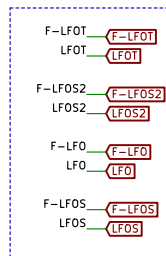
LFO Mod.
50k LOG



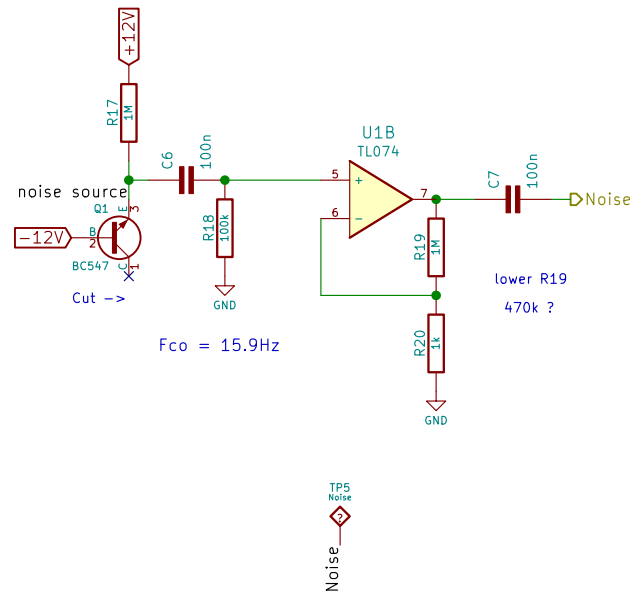
<http://tinyurl.com/y982m8vn>



Board to board connection



Inspired by ASM-1 LFO	
David Haillant	
Sheet: /LFO/ File: lfo.sch	
Title: Drum Module 77	
Size: A4	Date: 2019-03-12
KiCad E.D.A. kicad 5.1.2-f72e74a84ubuntu16.04.1	Rev: 0.4b
	Id: 3/9



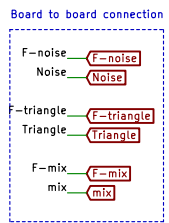
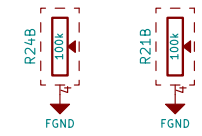
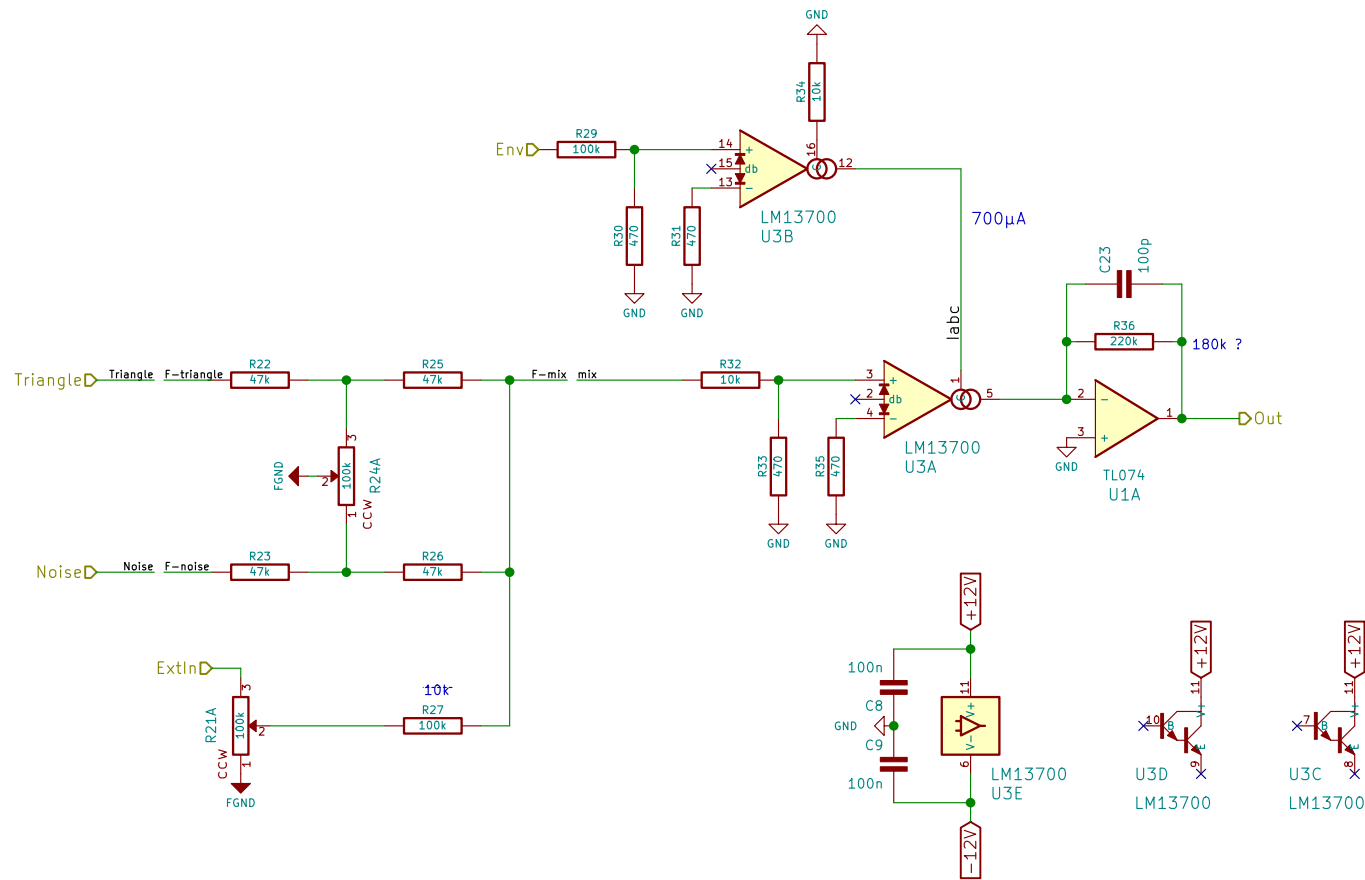
David Hailant

Sheet: /Noise generator/
File: noise_gen.sch

Title: Drum Module 77

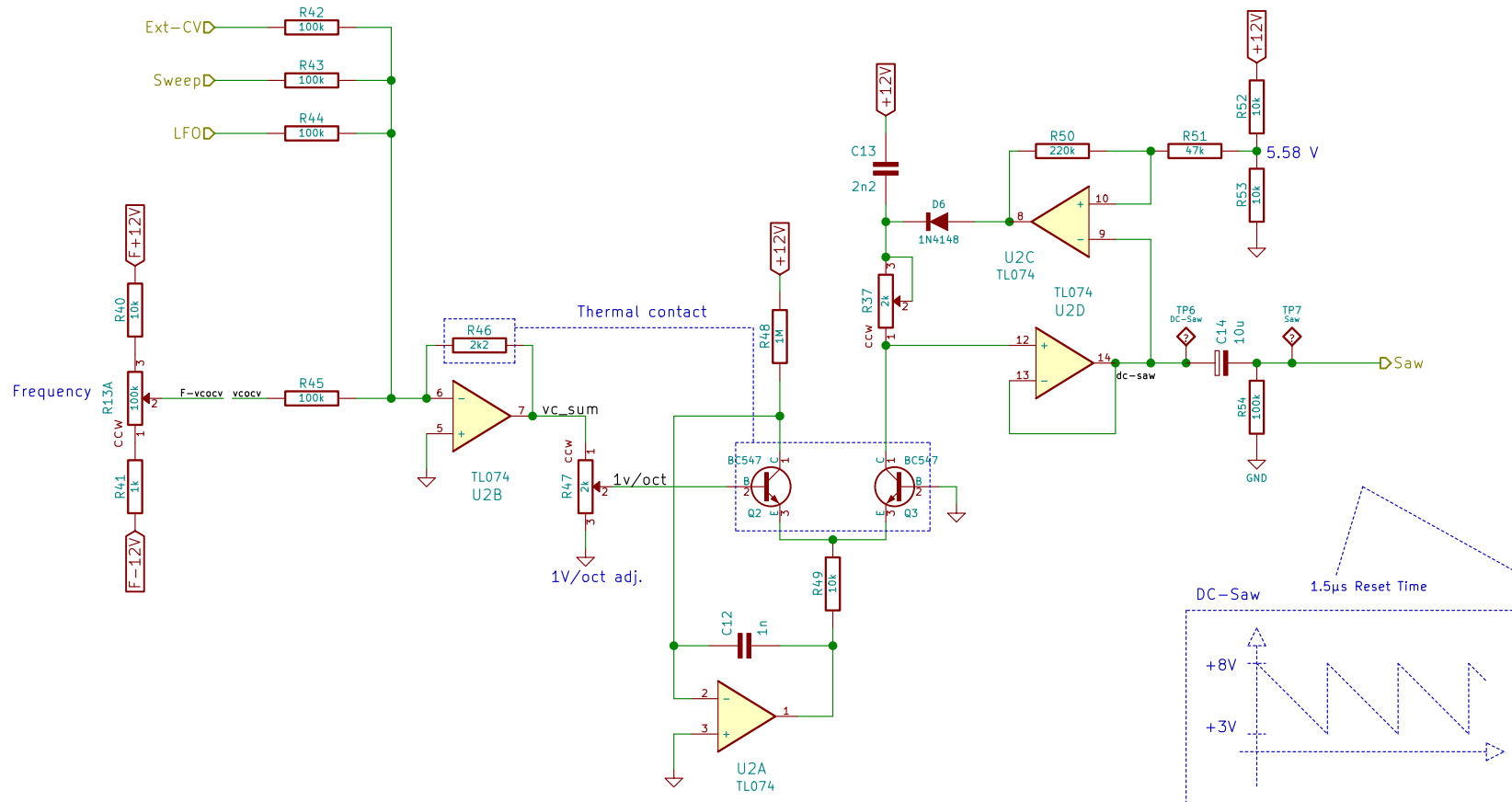
Size: A4 Date: 2019-03-12
KiCad E.D.A. kicad 5.1.2-f72e74a84ubuntu16.04.1

Rev: 0.4b
Id: 4/9

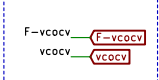


0.2
- C23 added for high frequency noise when output loaded

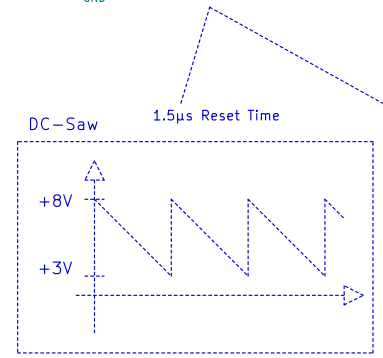
David Haillant	
Sheet: /VCA/	
File: vca.sch	
Title: Drum Module 77	
Size: A4	Date: 2019-03-12
KiCad E.D.A. kicad 5.1.2-f72e74a84ubuntu16.04.1	Rev: 0.4b
	Id: 5/9



Board to board connection

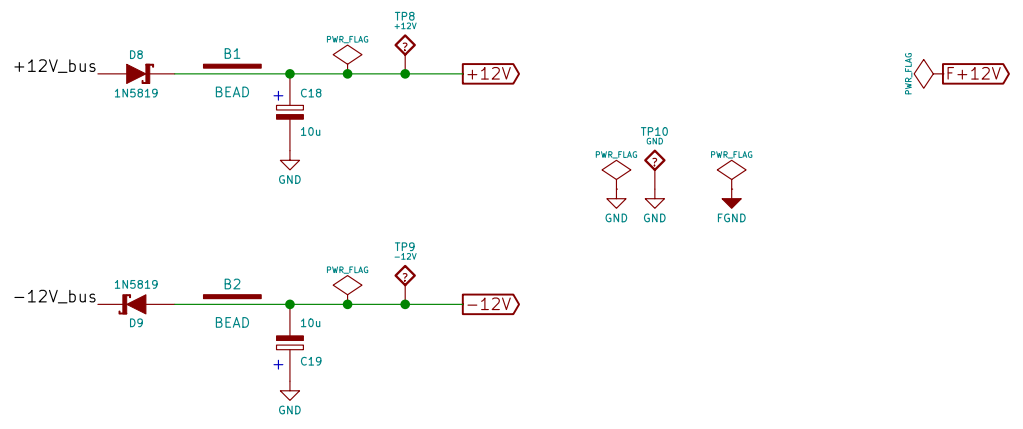
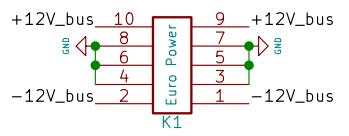


Calibration procedure:
 Set a low Freq. (Eg. 100Hz) then apply 1V CV.
 Frequency MUST exactly double.
 If lower, turn R47 to make freq. LOWER.
 If higher, turn R47 to make freq. HIGHER.
 Remove CV. Set again to low freq (100Hz) and apply 1V CV.
 Repeat until frequency doubles for each volt added on CV.

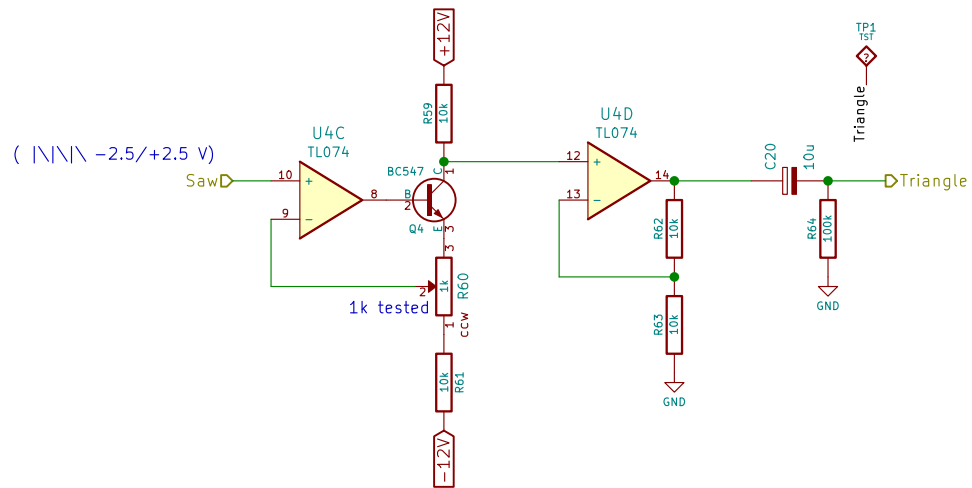


Revision History
 0.2:
 - reversed R47. Turn clockwise = increase CV effect.

David Hailant	
Sheet: /Oscillator/	
File: oscillator.sch	
Title: Drum Module 77	
Size: A4	Date: 2019-03-12
KiCad E.D.A. kicad 5.1.2-f72e74a84ubuntu16.04.1	Rev: 0.4b
	Id: 6/9



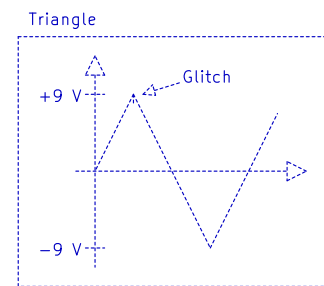
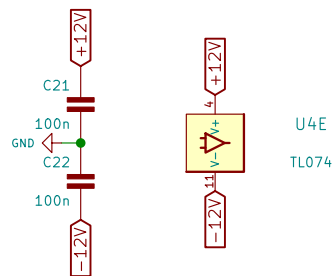
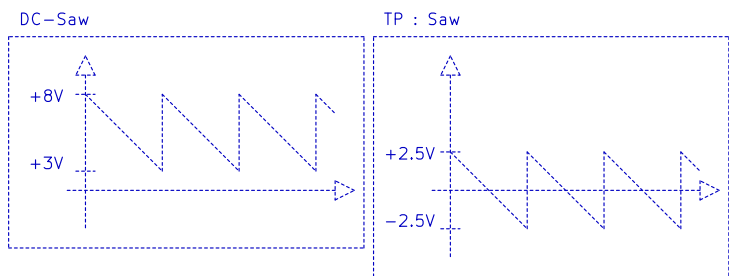
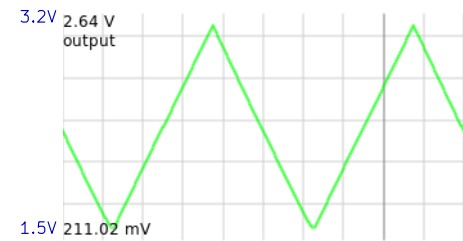
David Hallant		
Sheet: /Power/		
File: power.sch		
Title: Drum Module 77		
Size: A4	Date: 2019-03-12	Rev: 0.4b
KiCad E.D.A. kicad 5.1.2-f72e74a84ubuntu16.04.1		Id: 7/9



($\text{NNN} -2.5/+2.5 \text{ V}$)

Adjustment procedure:
Turn R60 until high frequency content fades out.

<http://tinyurl.com/y839wjb5>



David Hallant

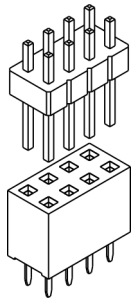
Sheet: /Saw to Triangle/
File: saw2tri.sch

Title: Drum Module 77

Size: A4 Date: 2019-03-12
KiCad E.D.A. kicad 5.1.2-f72e74a84ubuntu16.04.1

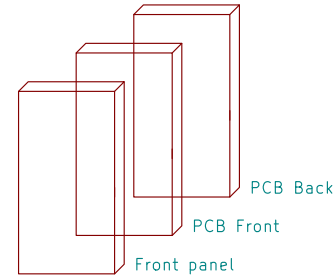
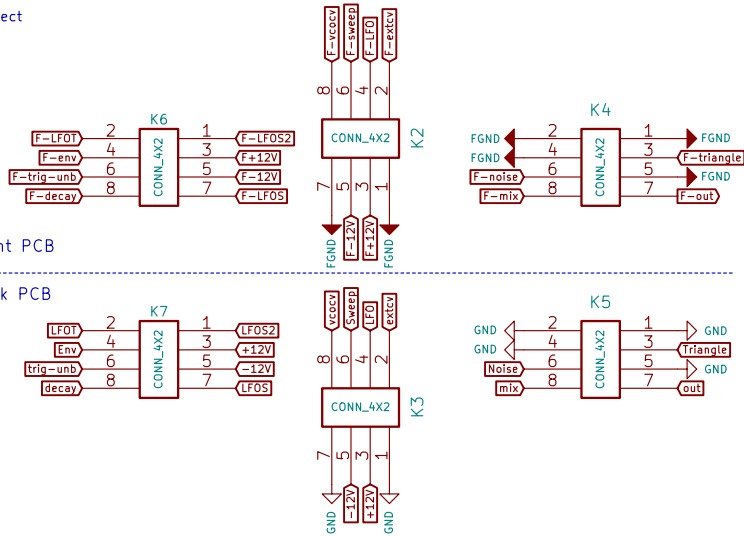
Rev: 0.4b
Id: 8/9

Board to Board Interconnect



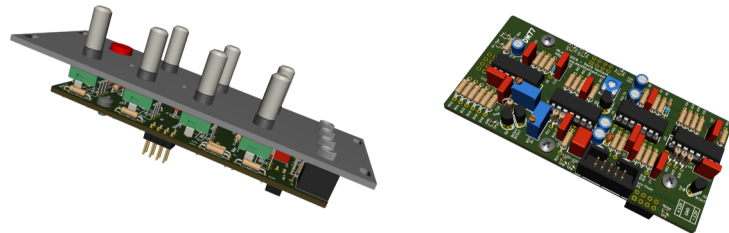
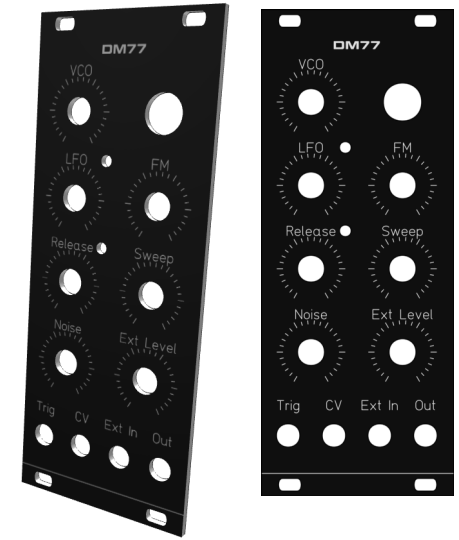
Front PCB

Back PCB

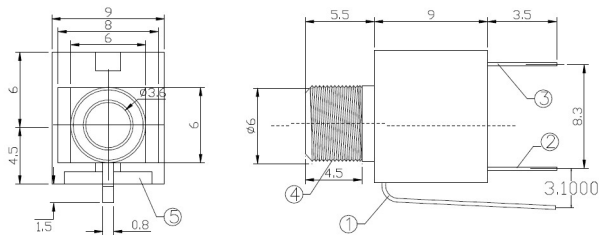
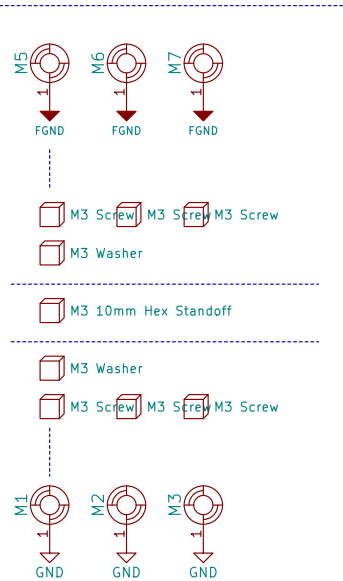


frontpanel:dm77-10hp-20190312-fcad

Euro rack 10HP Front Panel design



- DIL Socket 14
- DIL Socket 14
- DIL Socket 14
- DIL Socket 16



Potentiometers:

- <https://www.thonk.co.uk/shop/alpha-9mm-pots/>
- <http://smallbear-electronics.mybigcommerce.com/alpha-single-gang-9mm-right-angle-pc-mount/>
- <https://www.musikding.de/Pot-9mm-100k-lin-Print-vertical>

Buttons:

- <https://www.musikding.de/Nose-Knob-orange>
- <http://smallbear-electronics.mybigcommerce.com/knurled-colored-caps/>

Jacks (WQP-PJ398SM):

- <http://www.qingpu-electronics.com/en/products/WQP-PJ398SM-362.html>

Jacks (PJ301BM):

- <https://www.thonk.co.uk/shop/3-5mm-jacks/>
- <http://www.qingpu-electronics.com/en/products/wqp-pj3010bm-34.html>

Revision History

- 0.2:
- Added missing links LFOS, ENV.

David Haillant

Sheet: /Hardware parts/
File: hardware.sch

Title: Drum Module 77

Size: A4 Date: 2019-03-12
KiCad E.D.A. kicad 5.1.2-f72e74a84ubuntu16.04.1

Rev: 0.4b
Id: 9/9