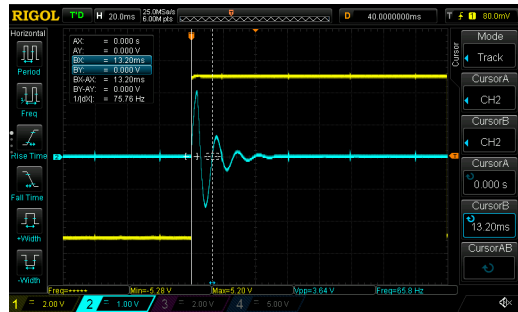
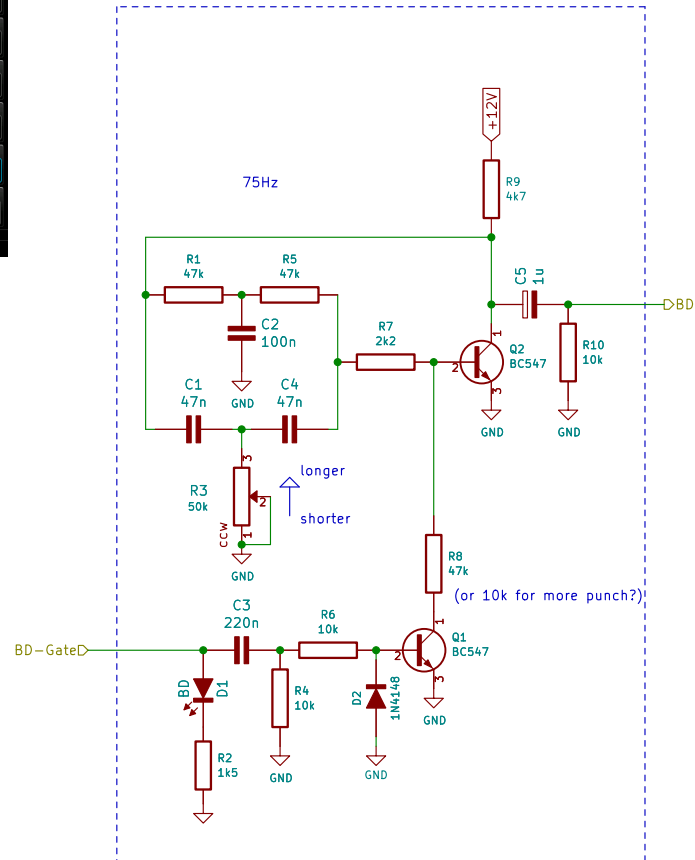


www.davidhailant.com	
David Hailant	
Sheet: /	
File: dm66.kicad_sch	
Title: DM66	
Size: A4	Date: 2022-06-23
KiCad E.D.A. kicad 6.0.7-f9a2dced07-116-ubuntu20.04.1	Rev: 0.2
	Id: 1/10



Bass:
<http://tinyurl.com/yd89kcek>
<http://tinyurl.com/y8hjuucc>



www.davidhailant.com

David Hailant

Sheet: /Bass Drum/

File: bass_drum.kicad_sch

Title: DM66

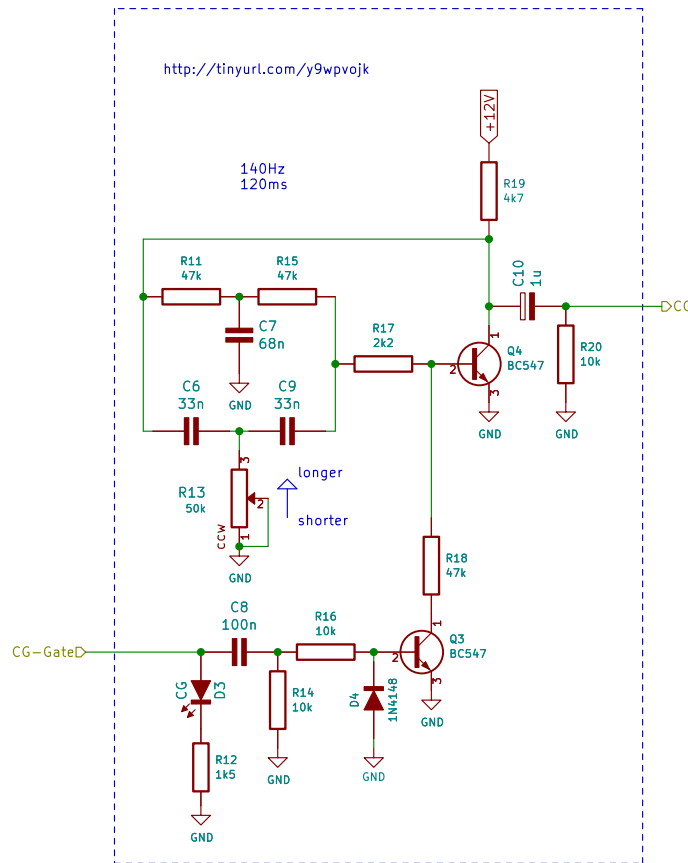
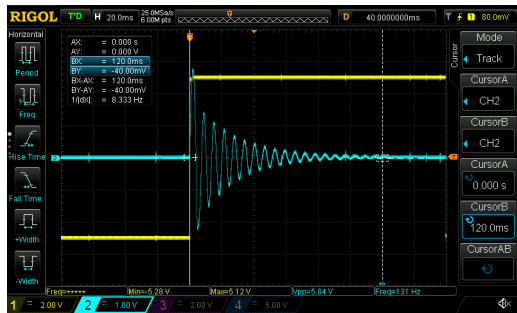
Size: A4

Date: 2022-06-23

Rev: 0.2

KiCad E.D.A. kicad 6.0.7-f9a2dced07-116-ubuntu20.04.1

Id: 2/10



www.davidhailant.com

David Hailant

Sheet: /Conga/

File: conga_drum.kicad_sch

Title: DM66

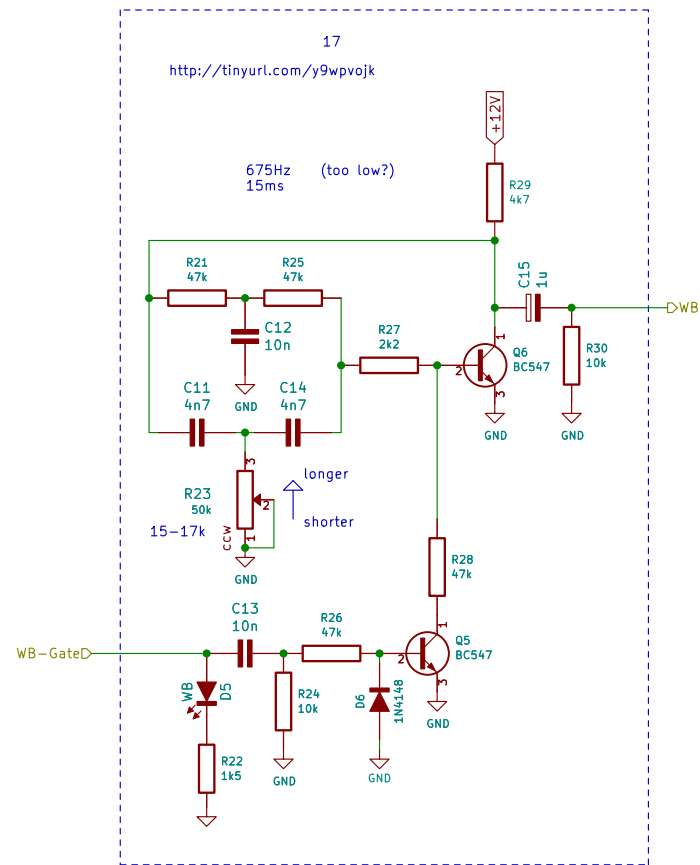
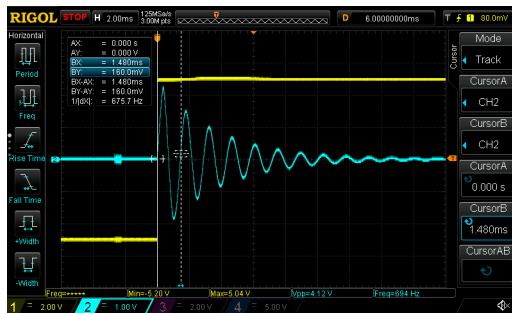
Size: A4

Date: 2022-06-23

KiCad E.D.A. kicad 6.0.7-f9a2dced07-116-ubuntu20.04.1

Rev: 0.2

Id: 3/10



www.davidhailant.com

David Hailant

Sheet: /Wood Block/

File: wood_block.kicad_sch

Title: DM66

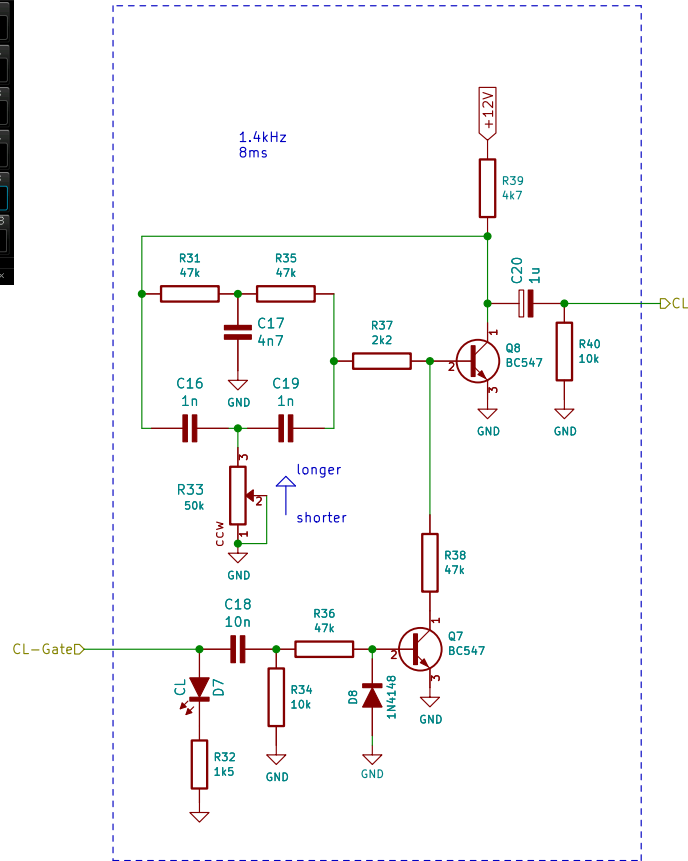
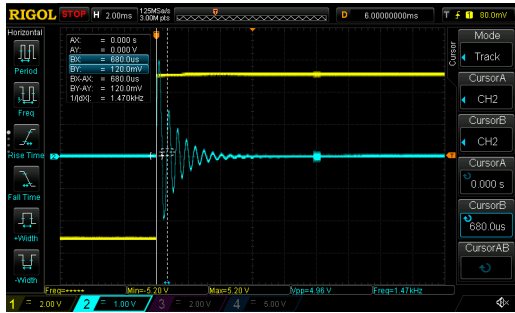
Size: A4 Date: 2022-06-23

KiCad E.D.A. kicad 6.0.7-f9a2dced07-116-ubuntu20.04.1

Rev: 0.2

Id: 4/10

Valeurs à déterminer !



www.davidhailant.com

David Hailant

Sheet: /Clave/

File: clave.kicad_sch

Title: DM66

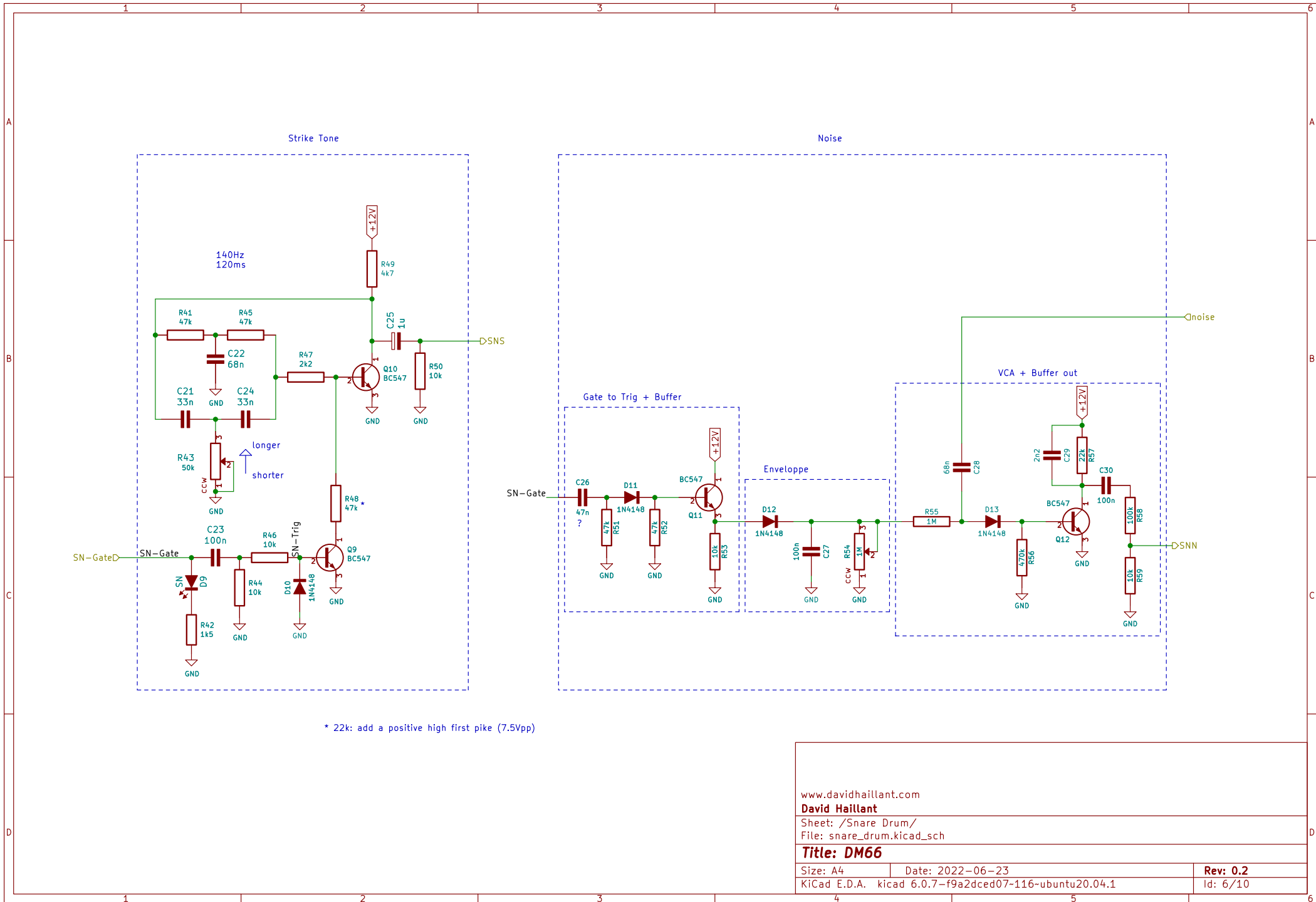
Size: A4

Date: 2022-06-23

Rev: 0.2

KiCad E.D.A. kicad 6.0.7-f9a2dced07-116-ubuntu20.04.1

Id: 5/10



www.davidhailant.com

David Hailant

Sheet: /Snare Drum/

File: snare_drum.kicad_sch

Title: DM66

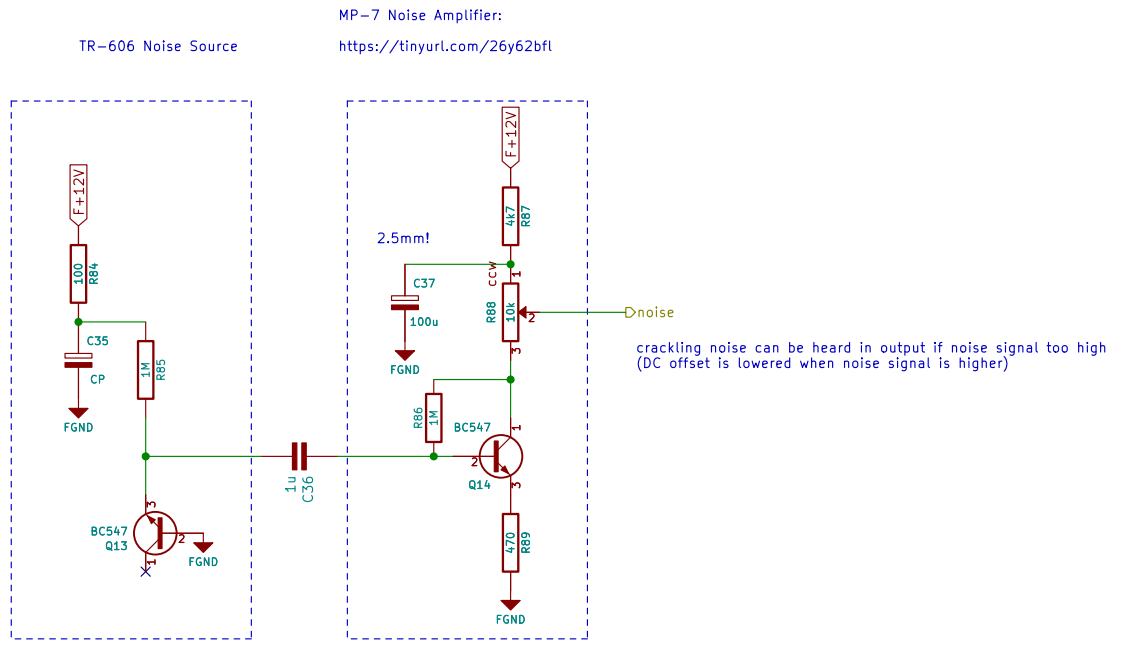
Size: A4

Date: 2022-06-23

Rev: 0.2

KiCad E.D.A. kicad 6.0.7-f9a2dced07-116-ubuntu20.04.1

Id: 6/10



www.davidhailant.com

David Hailant

Sheet: /Noise/

File: noise.kicad_sch

Title: DM66

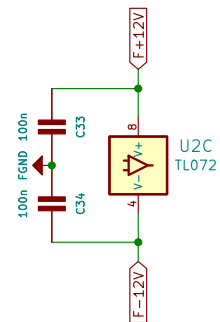
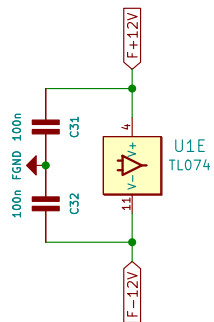
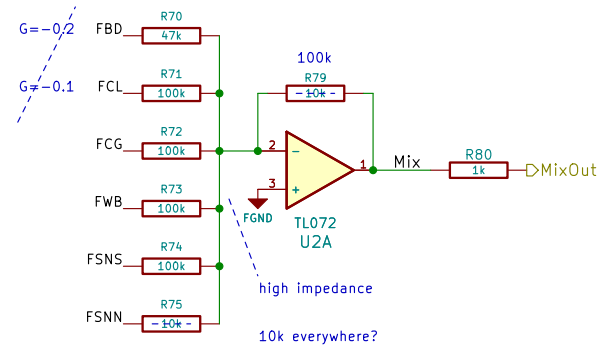
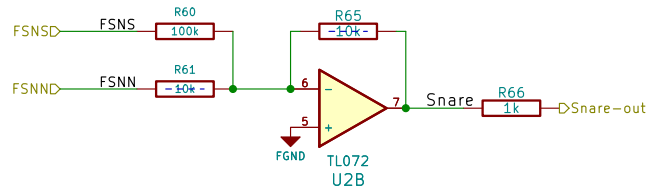
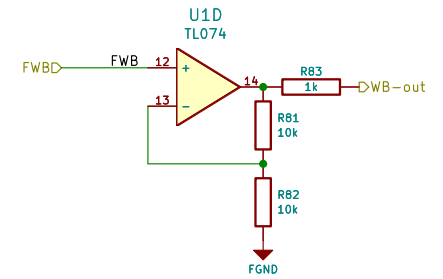
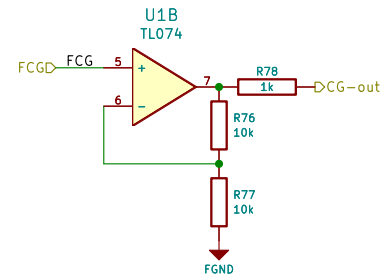
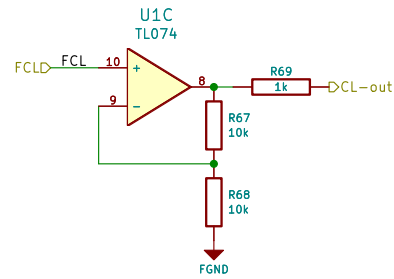
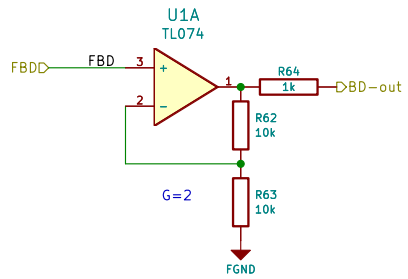
Size: A4

Date: 2022-06-23

Rev: 0.2

KiCad E.D.A. kicad 6.0.7-f9a2dced07-116-ubuntu20.04.1

Id: 7/10



www.davidhailant.com

David Hailant

Sheet: /Output Stage/

File: output.kicad_sch

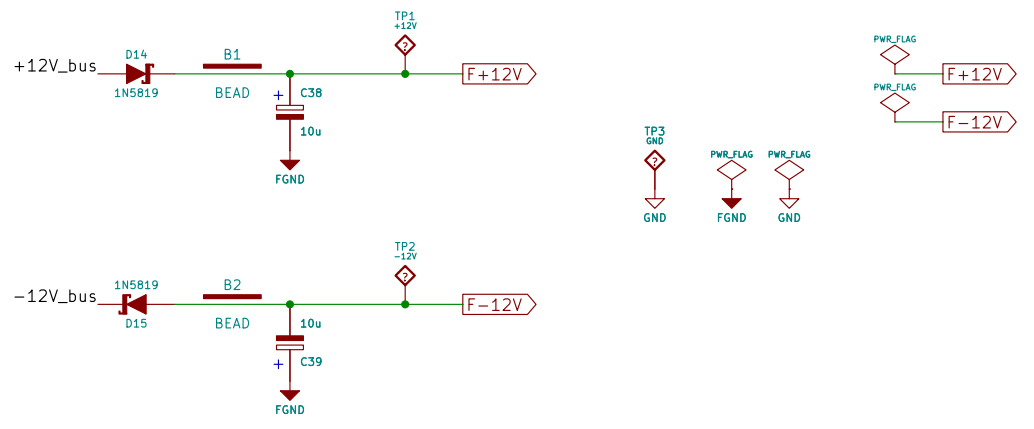
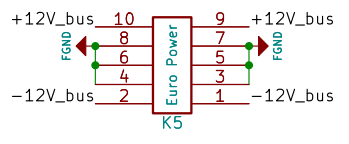
Title: DM66

Size: A4 Date: 2022-06-23

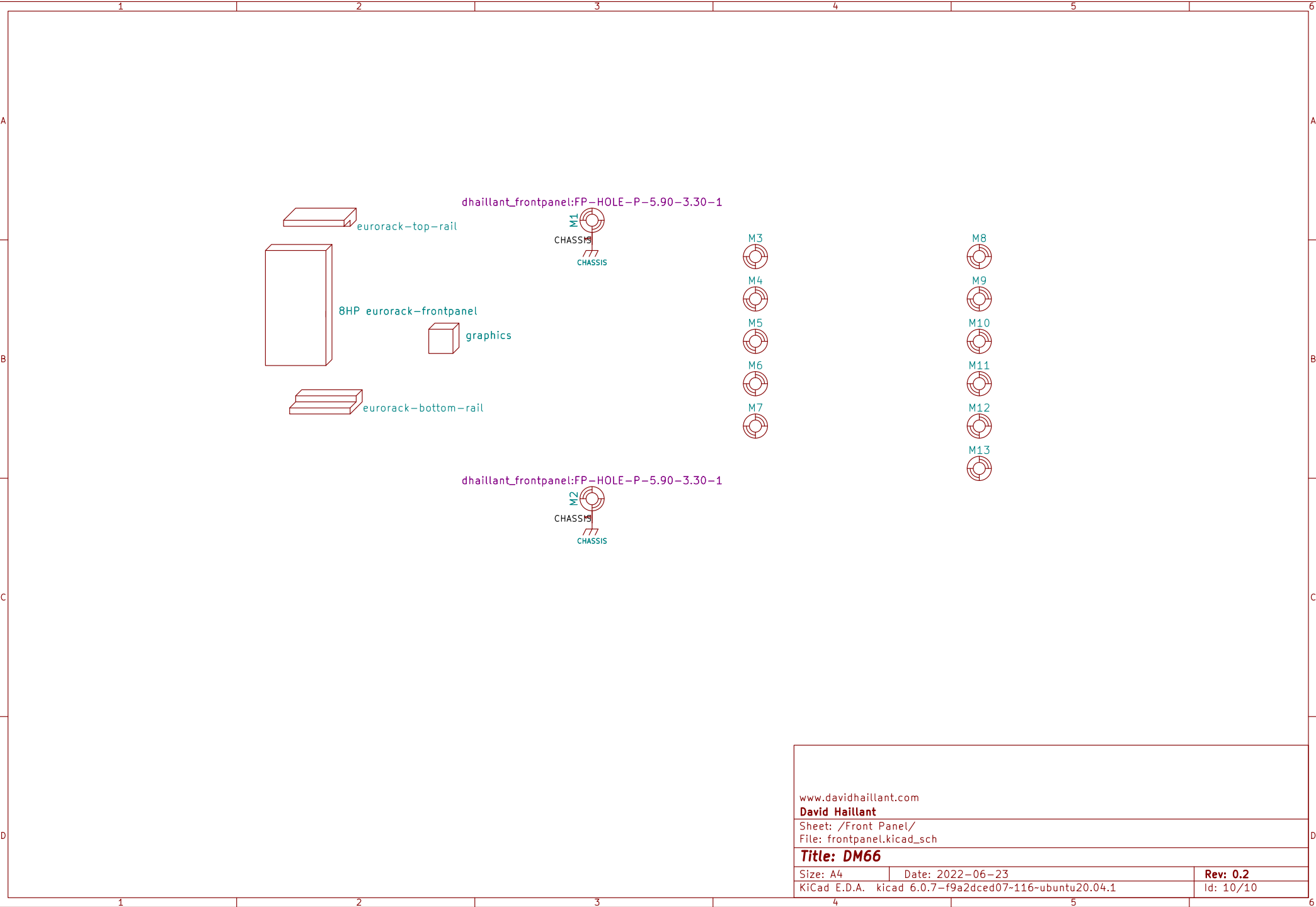
KiCad E.D.A. kicad 6.0.7-f9a2dced07-116-ubuntu20.04.1

Rev: 0.2

Id: 8/10



www.davidhailant.com	
David Hailant	
Sheet: /Power/	
File: power.kicad_sch	
Title: DM66	
Size: A4	Date: 2022-06-23
KiCad E.D.A. kicad 6.0.7-f9a2dced07-116-ubuntu20.04.1	Rev: 0.2
	Id: 9/10



www.davidhailant.com

David Hailant

Sheet: /Front Panel/

File: frontpanel.kicad_sch

Title: DM66

Size: A4

Date: 2022-06-23

Rev: 0.2

KiCad E.D.A. kicad 6.0.7-f9a2dced07-116-ubuntu20.04.1

Id: 10/10