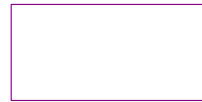


Power Supply



File: power.kicad_sch

Hardware



File: hardware.kicad_sch

Revision History:

- 0.2
- * Reversed Potentiometers (CCW/CW)
- * Reversed U2 inputs (+/-)
- * Reversed LEDs polarity (matching colors)
- * Replaced Diode D3,D4 Footprints to SOD-123

Partially based on Befaco and Kassutronics works
www.davidhailant.com

David Hailant

Sheet: /

File: attenuverter.kicad_sch

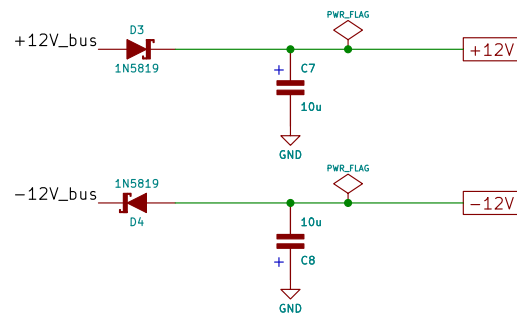
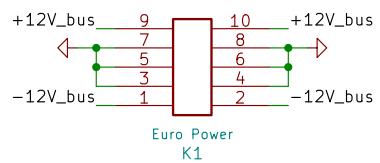
Title: Attenuverter

Size: A4 Date: 2022-05-17

KiCad E.D.A. kicad 6.0.7-f9a2dced07-116-ubuntu20.04.1

Rev: 0.2

Id: 1/3



Partially based on Befaco and Kassutronics work
www.davidhailant.com

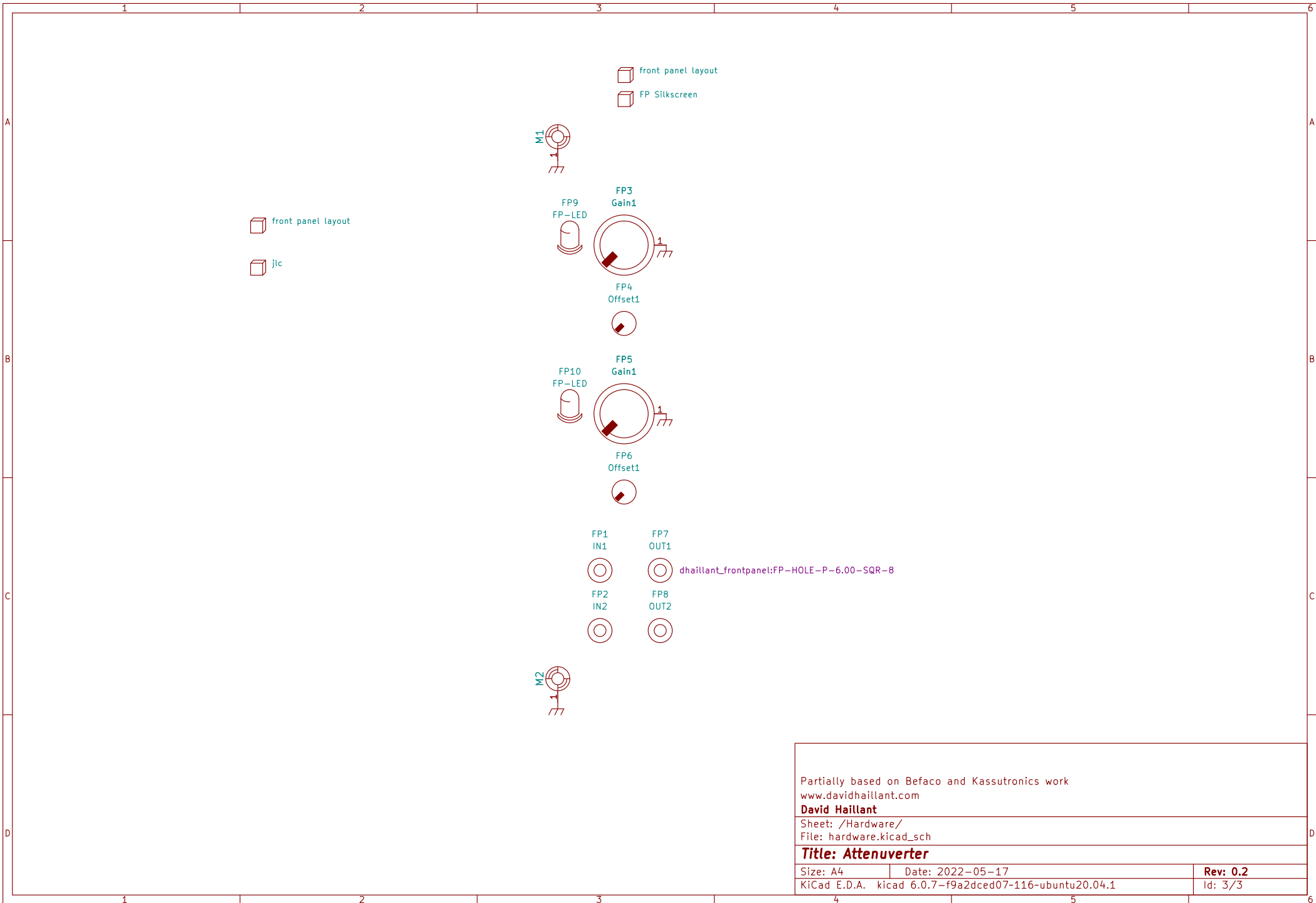
David Hailant

Sheet: /Power Supply/
 File: power.kicad_sch

Title: Attenuverter

Size: A4 Date: 2022-05-17
 KiCad E.D.A. kicad 6.0.7-f9a2dced07-116-ubuntu20.04.1

Rev: 0.2
 Id: 2/3



Partially based on Befaco and Kassutronics work

www.davidhallant.com

David Hallant

Sheet: /Hardware/

File: hardware.kicad_sch

Title: Attenuverter

Size: A4

Date: 2022-05-17

Rev: 0.2

KiCad E.D.A. kicad 6.0.7-f9a2dced07-116-ubuntu20.04.1

Id: 3/3