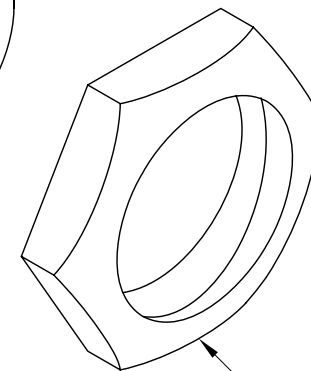
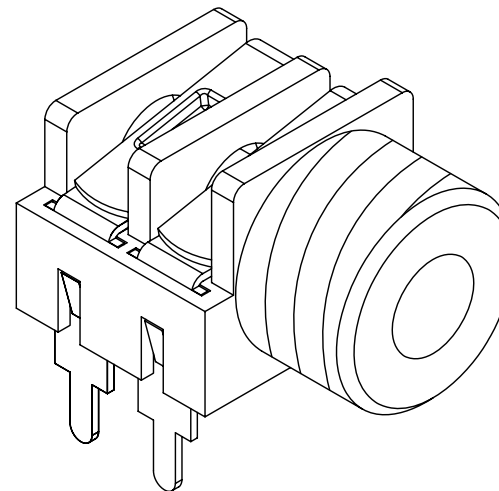
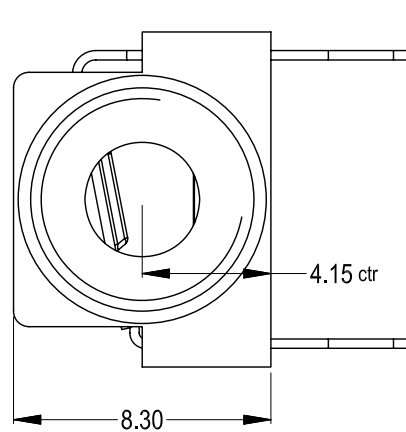
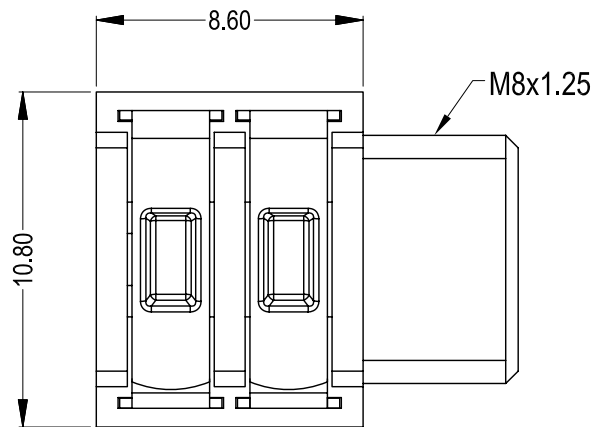
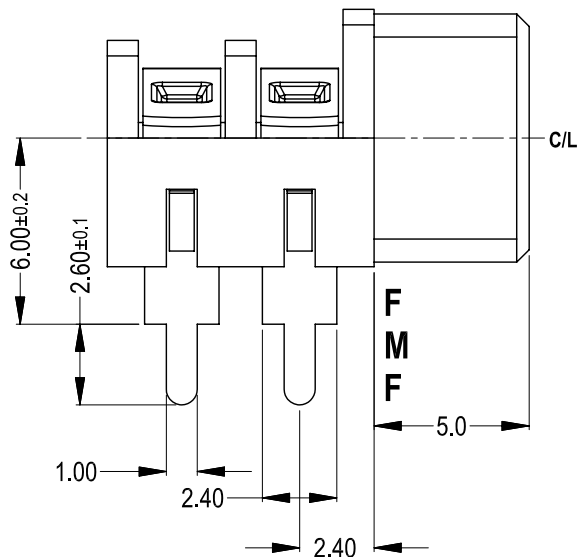


ISS.	AMEND	DATE
1	ISSUED	29/03/11

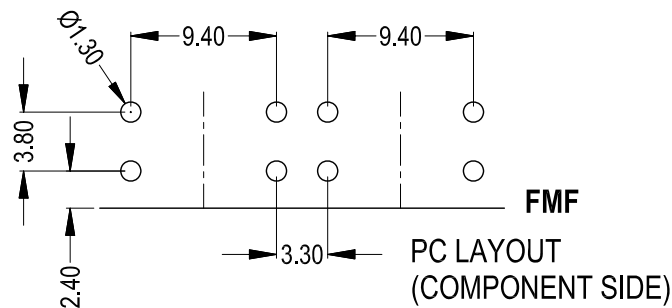


METAL NUT



**SPECIFICATIONS**

- WITHSTAND VOLTAGE: 2000V DC min
- MAXIMUM CURRENT: 5A
- TEMPERATURE RANGE: -10°C TO +70°C
- LIFE (MINIMUM): 5,000+ OPERATIONS
- CONTACT RESISTANCE <50mΩ



**RoHS**  
COMPLIANT

TOLERANCE  
NO DEC. PLACE ±  
1 DEC. PLACE ±  
2 DEC. PLACE ±  
HOLE Ø ±  
ANGLES ±  
UNLESS OTHERWISE STATED

DO NOT SCALE

**Cliff Electronic Components Ltd.**

76 Holmethorpe Avenue, Holmethorpe Industrial Estate,  
Redhill, Surrey, RH1 2PF, England, UK  
Tel: 01737-771375 Fax: 01737-766012 Website: www.cliffuk.co.uk

DIMENSIONS IN MILLIMETERS UNLESS OTHERWISE STATED. WORK TO DIMENSIONS. REMOVE ALL BURRS. IF IN DOUBT ASK.

3rd ANGLE PROJECTION:

MATERIAL: PBT - COPPER ALLOY / TIN PLATED

TITLE: S6C-A/BB/WN - JACKSOCKET (6.0)

FINISH: AS MOULDED - CLEAN

THE CONTENTS OF THIS DOCUMENT MUST NOT BE COPIED OR DISCLOSED TO A 3rd PARTY WITHOUT WRITTEN PERMISSION OF CLIFF UK. © 2008

DRAWN: T.J.O.

APPROVED: D.P.J.

DRWG. No. **FCR1281**

FORM: A4DRWGH