

Revision History:

- 1.0: initial release
- 1.1:
 - * reversed Attack / Decay pots
 - * removed connection to GND on U3A pin 1
 - * changed Q8 footprint (BEC instead of CBE)
 - * changed Jack footprints to WQP-PJ398SM
- 1.2:
 - * changed NPN BC547 to BC847BS (Dual matched NPN in SOT363)
 - * changed THT capacitors to SMT (C3, C13, C16, C18)
 - * changed Q101 from 2N1711 to 2N3904

Based on Ray Wilson's design (<http://musicfromouterspace.com/>)

David Hailant

Sheet: /
File: mfos slms.sch

Title: SoundLab MiniSynth – Eurorack SMD Edition

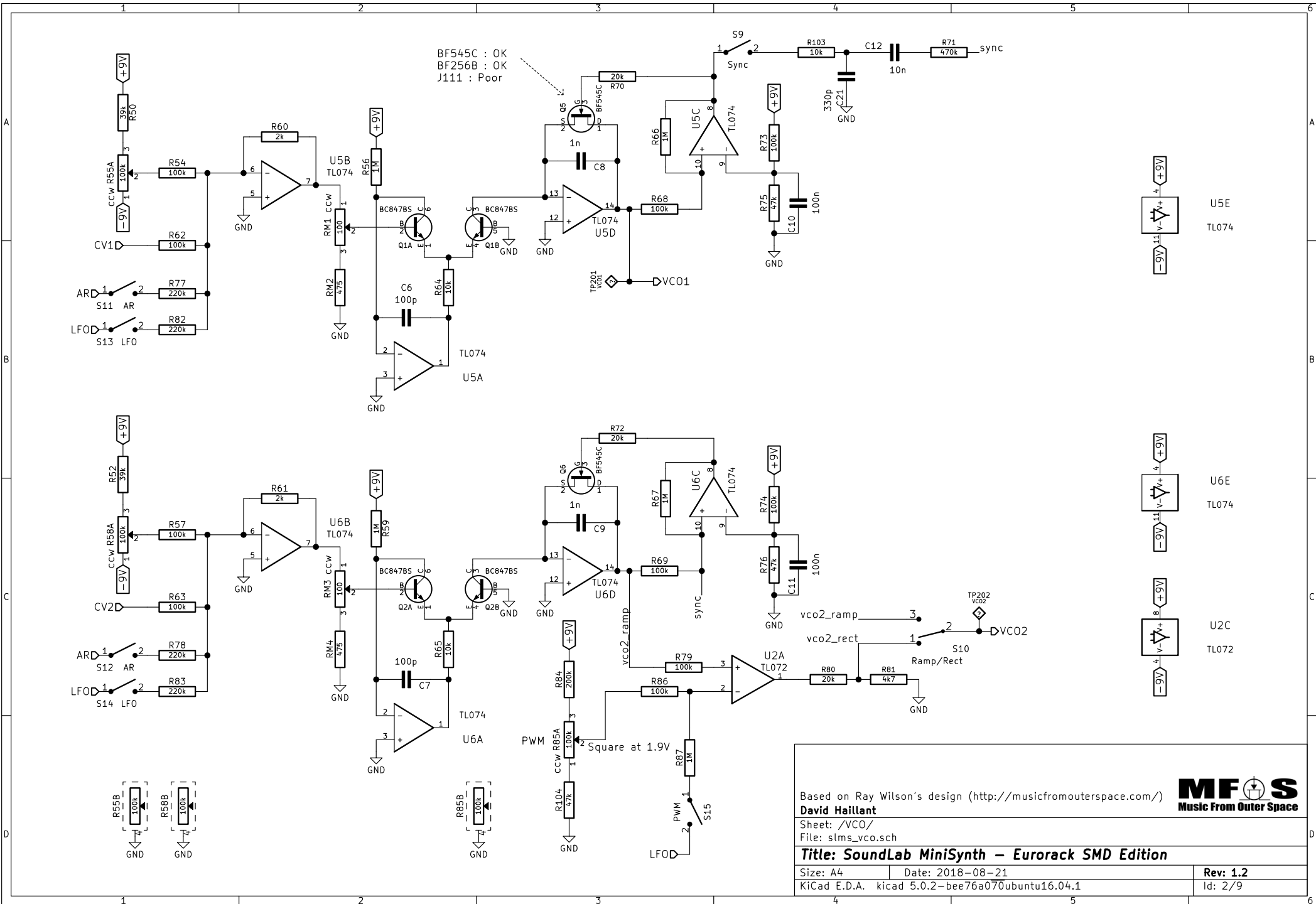
Size: A4 | Date: 2018-08-21

KiCad E.D.A. kicad 5.0.2- bbe76a070ubuntu16.04.1

Rev: 1.2

Id: 1/9





Based on Ray Wilson's design (<http://musicfromouterspace.com/>)

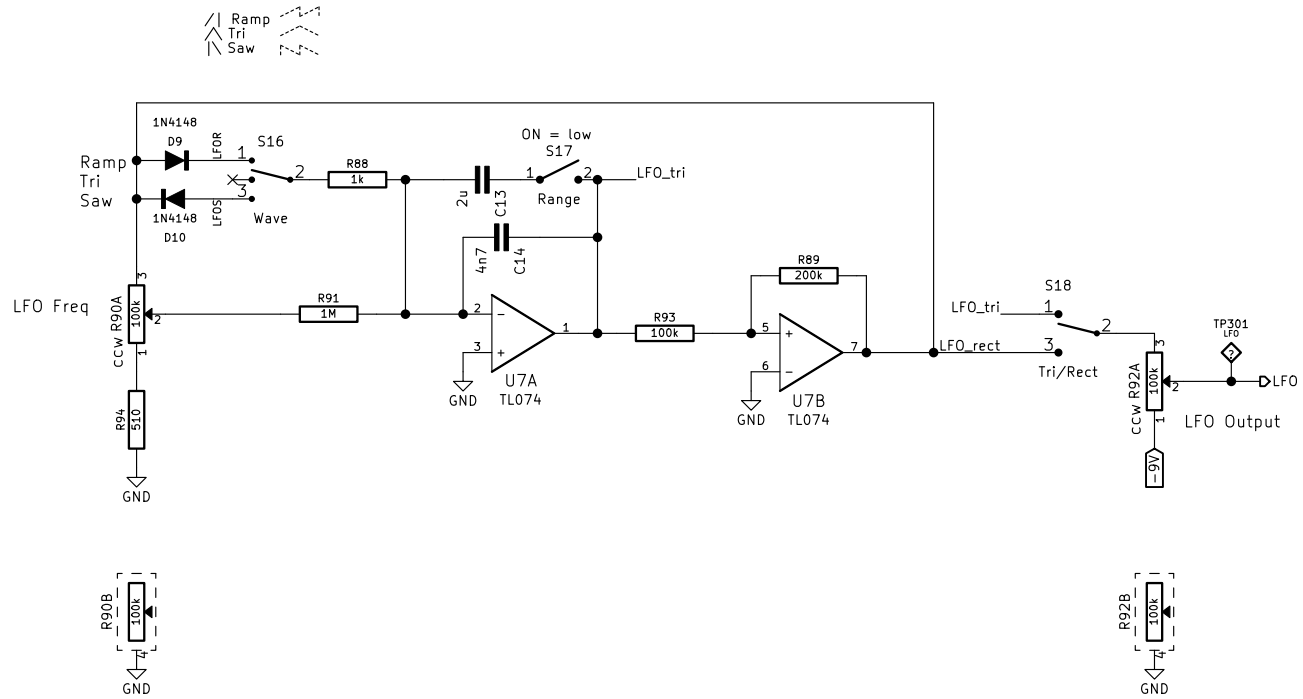
David Hailant

Sheet: /VCO/
File: slms_vco.sch

Title: SoundLab MiniSynth – Eurorack SMD Edition

Size: A4	Date: 2018-08-21	Rev: 1.2
KiCad E.D.A. kicad 5.0.2- bbe76a070ubuntu16.04.1		Id: 2/9





Based on Ray Wilson's design (<http://musicfromouterspace.com/>)

David Hailant

Sheet: /LFO/

File: slms_lfo.sch

Title: SoundLab MiniSynth – Eurorack SMD Edition

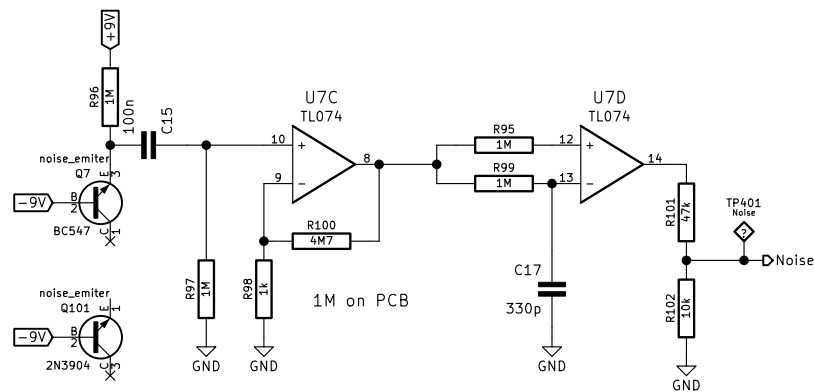
Size: A4 Date: 2018-08-21

KiCad E.D.A. kicad 5.0.2- bcc76a07ubuntu16.04.1

Rev: 1.2

Id: 3/9





V1.2 - Q101 changed from 2N1711 to 2N3904

Based on Ray Wilson's design (<http://musicfromouterspace.com/>)

David Hailant

Sheet: /Noise Gen/

File: slms_noise.sch

Title: SoundLab MiniSynth - Eurorack SMD Edition

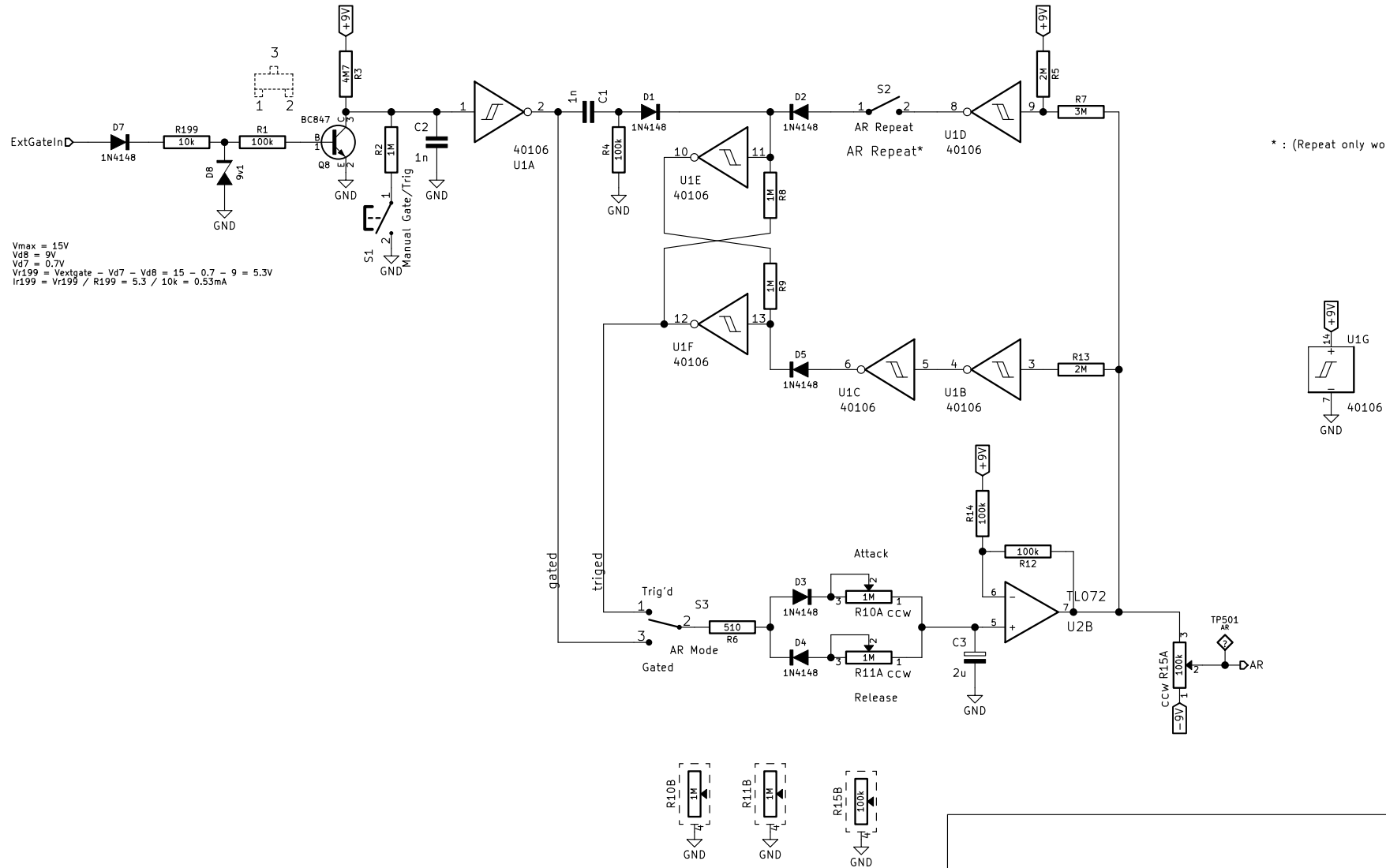
Size: A4 Date: 2018-08-21

KiCad E.D.A. kicad 5.0.2-bee76a070ubuntu16.04.1

Rev: 1.2

Id: 4/9





$V_{max} = 15V$
 $V_{d8} = 9V$
 $V_{d7} = 0.7V$
 $V_{r199} = V_{extgate} - V_{d7} - V_{d8} = 15 - 0.7 - 9 = 5.3V$
 $I_{r199} = V_{r199} / R_{199} = 5.3 / 10k = 0.53mA$

* : (Repeat only works in Trig'd mode)

Based on Ray Wilson's design (<http://musicfromouterspace.com/>)

David Hailant

Sheet: /Attack Release Envelope Generator/

File: slms_argen.sch

Title: SoundLab MiniSynth – Eurorack SMD Edition

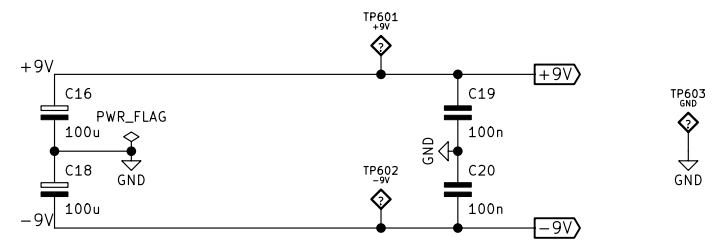
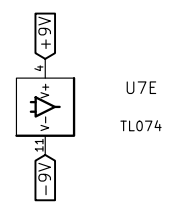
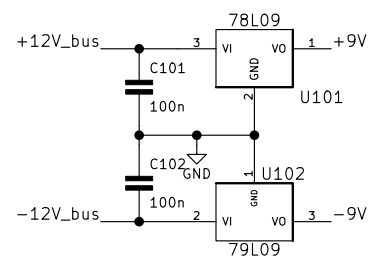
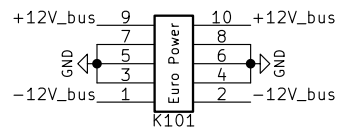
Size: A4 | Date: 2018-08-21

KiCad E.D.A. kicad 5.0.2- bce76a070ubuntu16.04.1



Rev: 1.2

Id: 5/9

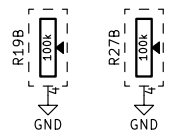
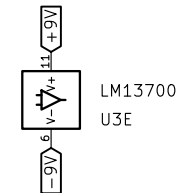
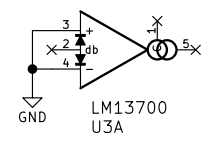
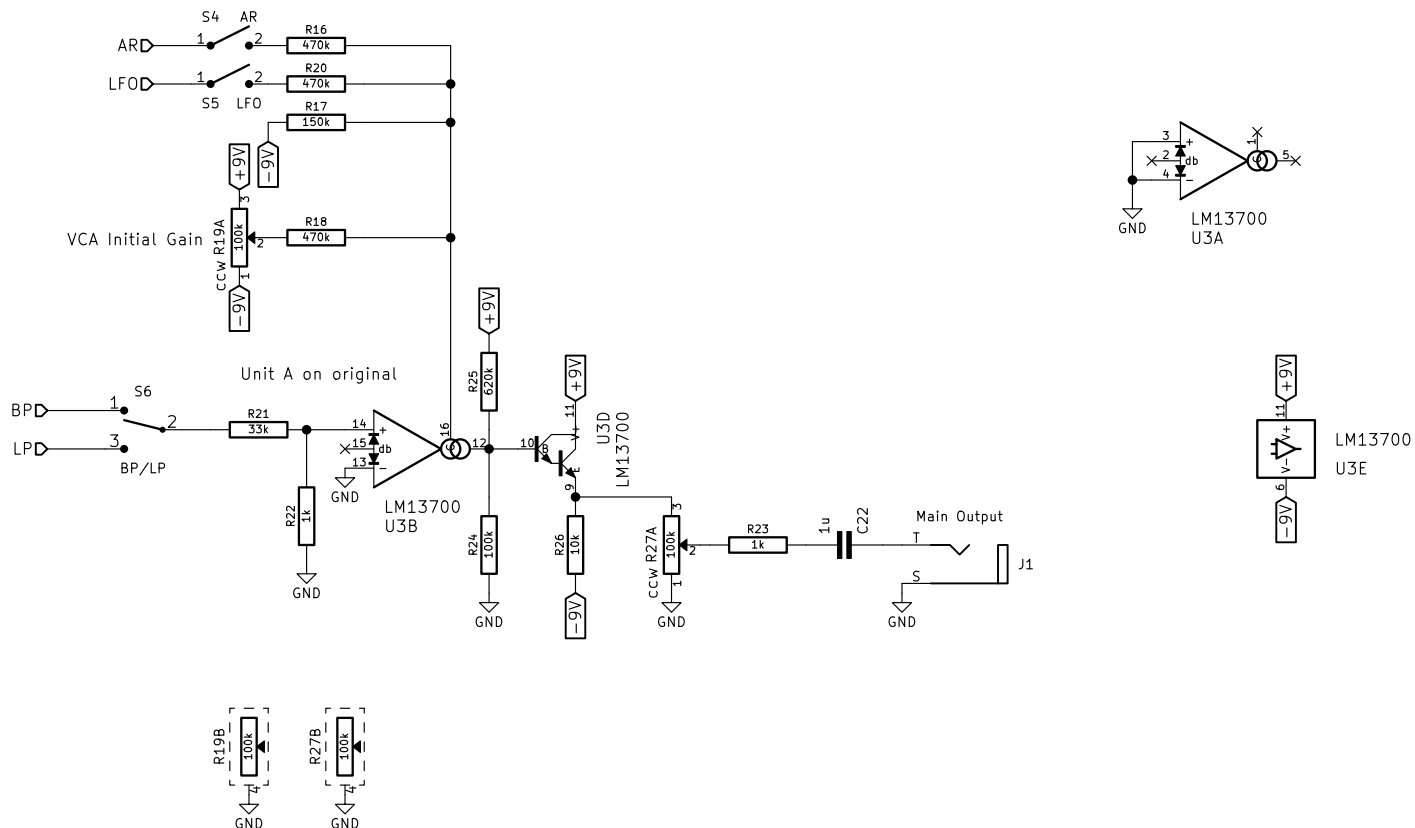


Based on Ray Wilson's design (<http://musicfromouterspace.com/>)
David Haillant
 Sheet: /Power Supply/
 File: slms_power.sch

MFOS
 Music From Outer Space

Title: SoundLab MiniSynth – Eurorack SMD Edition

Size: A4	Date: 2018-08-21	Rev: 1.2
KiCad E.D.A. kicad 5.0.2-bee76a070ubuntu16.04.1		Id: 6/9

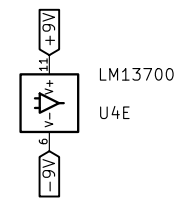
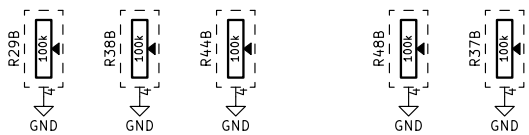
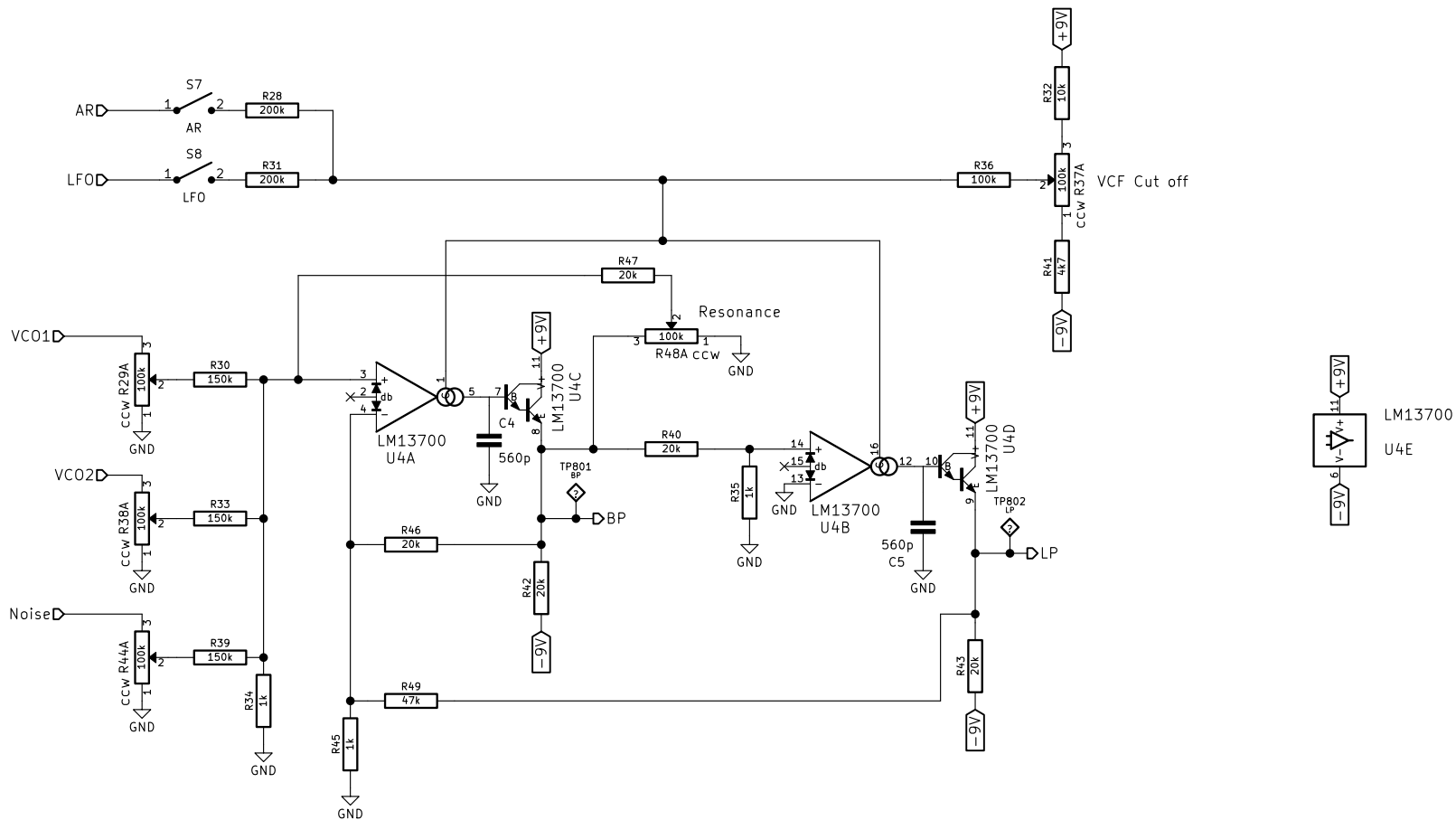


Based on Ray Wilson's design (<http://musicfromouterspace.com/>)
David Hailant
 Sheet: /VCA/
 File: slms_vca.sch

MFOS
 Music From Outer Space

Title: SoundLab MiniSynth – Eurorack SMD Edition

Size: A4	Date: 2018-08-21	Rev: 1.2
KiCad E.D.A. kicad 5.0.2- bce76a070ubuntu16.04.1		Id: 7/9



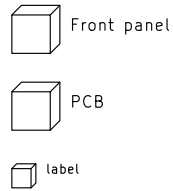
Based on Ray Wilson's design (<http://musicfromouterspace.com/>)
David Hailant
 Sheet: /VCF/
 File: slms_vcf.sch

MFOS
 Music From Outer Space

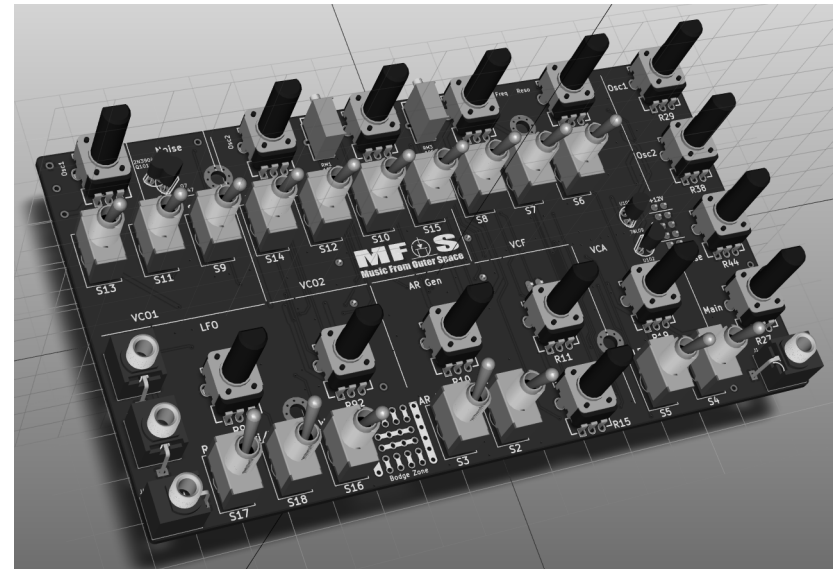
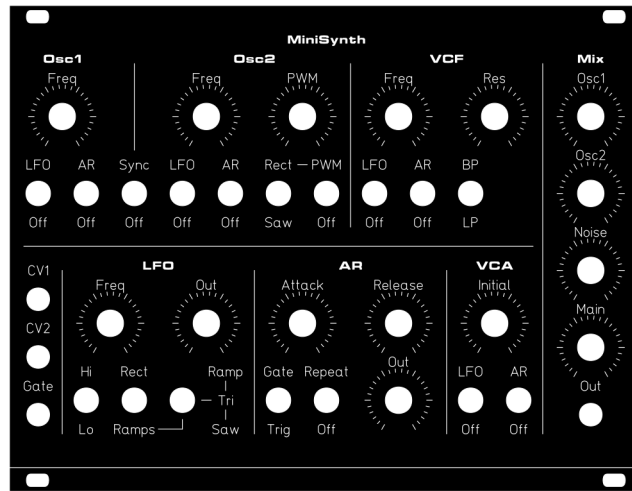
Title: SoundLab MiniSynth – Eurorack SMD Edition

Size: A4	Date: 2018-08-21	Rev: 1.2
KiCad E.D.A. kicad 5.0.2-bee76a070ubuntu16.04.1		Id: 8/9

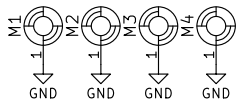
Additional Hardware:



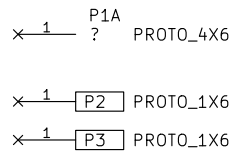
Suggested Front Panel Layout:



Mounting Holes:



Proto Area Connections:



Sources for Special Hardware:

Potentiometers:
<https://www.thonk.co.uk/shop/alpha-9mm-pots/>
<http://smallbear-electronics.mybigcommerce.com/alpha-single-gang-9mm-right-angle-pc-mount/>
<https://www.musikding.de/Pot-9mm-100k-lin-Print-vertical>
<https://erthenvar.myshopify.com/collections/9mm-potentiometers/products/smooth-shaft-vertical-pot>

Jacks (10mm H)
<http://www.qingpu-electronics.com/en/products/WQP-PJ398SM-362.html>
<https://erthenvar.myshopify.com/collections/accessories/products/3-5mm-inline-jacks>
<https://www.thonk.co.uk/shop/3-5mm-jacks/>

Suggested Buttons:
<https://www.musikding.de/Nose-Knob-orange>
<http://smallbear-electronics.mybigcommerce.com/knurled-colored-caps/>

Based on Ray Wilson's design (<http://musicfromouterspace.com/>)

David Hailant

Sheet: /Hardware parts/

File: hardware.sch

Title: SoundLab MiniSynth – Eurorack SMD Edition

Size: A4

Date: 2018-08-21

Rev: 1.2

KiCad E.D.A. kicad 5.0.2-bee76a070ubuntu16.04.1

Id: 9/9

MFS
 Music From Outer Space