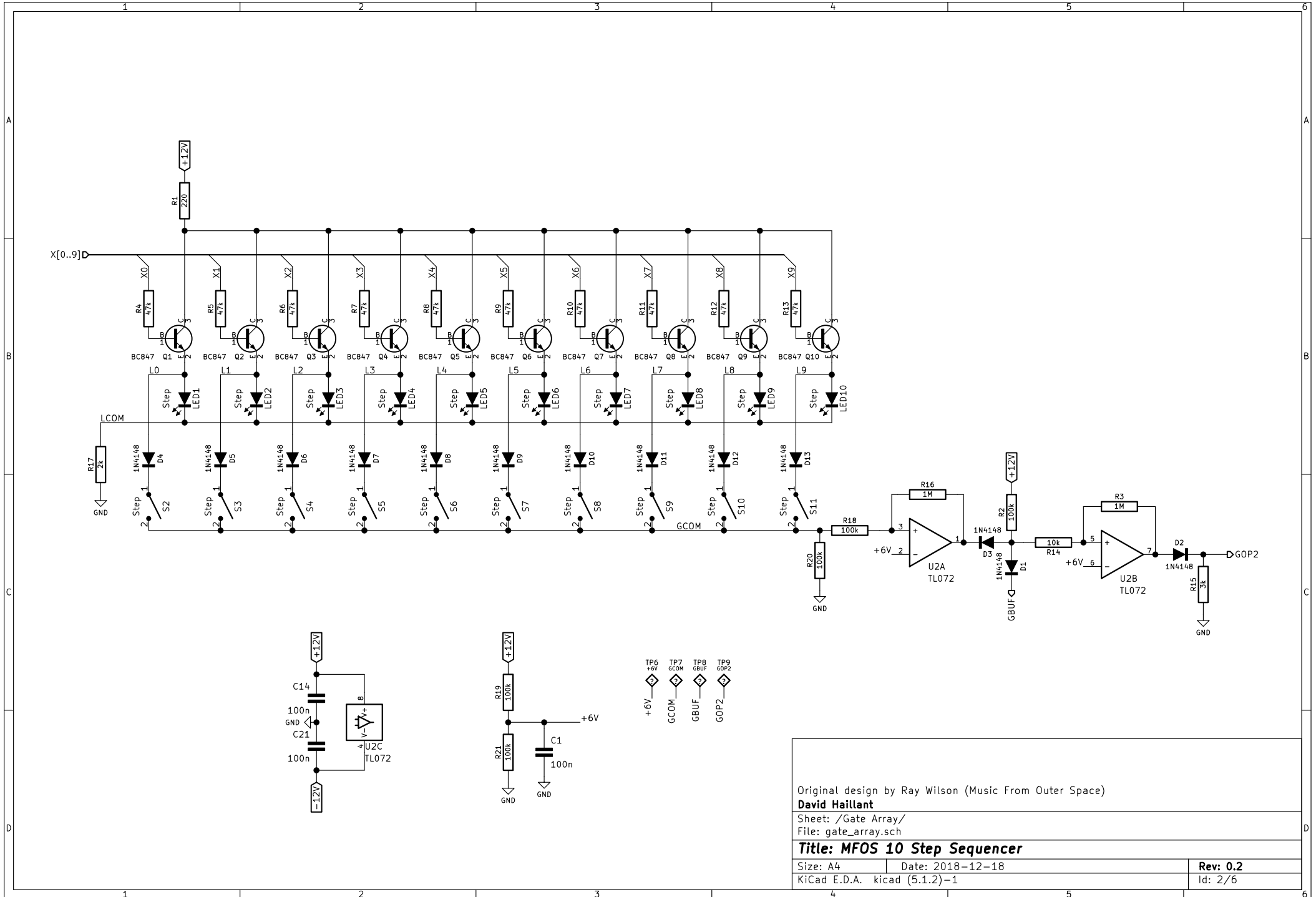


Original design by Ray Wilson (Music From Outer Space)
David Haillant
 Sheet: /
 File: mfos-10-step-seq.sch
Title: MFOs 10 Step Sequencer

| | | |
|------------------------------|------------------|-----------------|
| Size: A4 | Date: 2018-12-18 | Rev: 0.2 |
| KiCad E.D.A. kicad (5.1.2)-1 | | Id: 1/6 |



Original design by Ray Wilson (Music From Outer Space)

David Hailant

Sheet: /Gate Array/
File: gate_array.sch

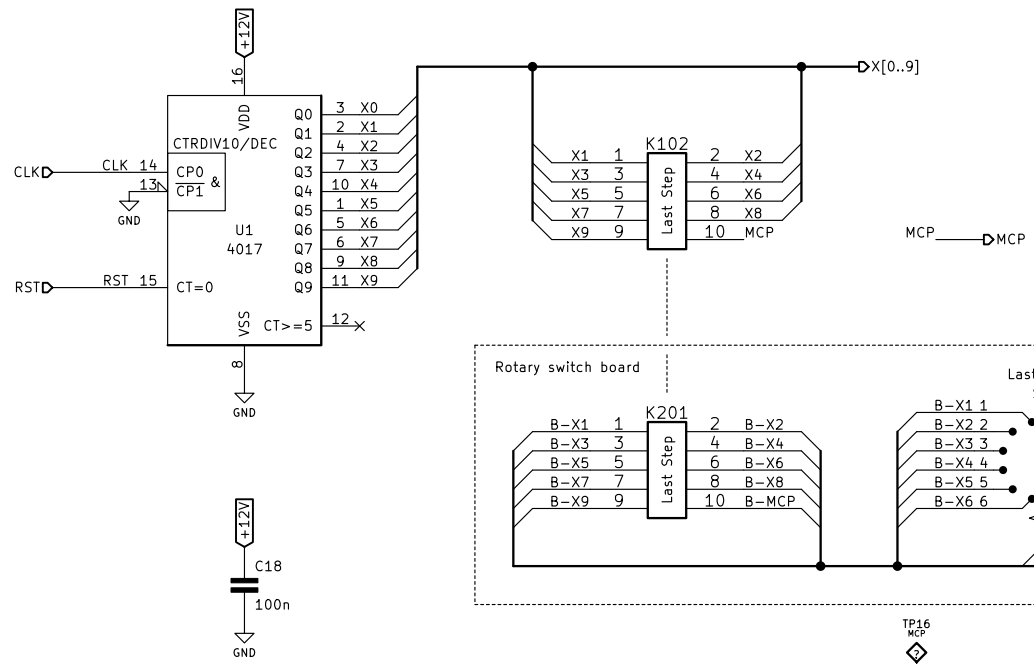
Title: MFOS 10 Step Sequencer

Size: A4 Date: 2018-12-18

Rev: 0.2

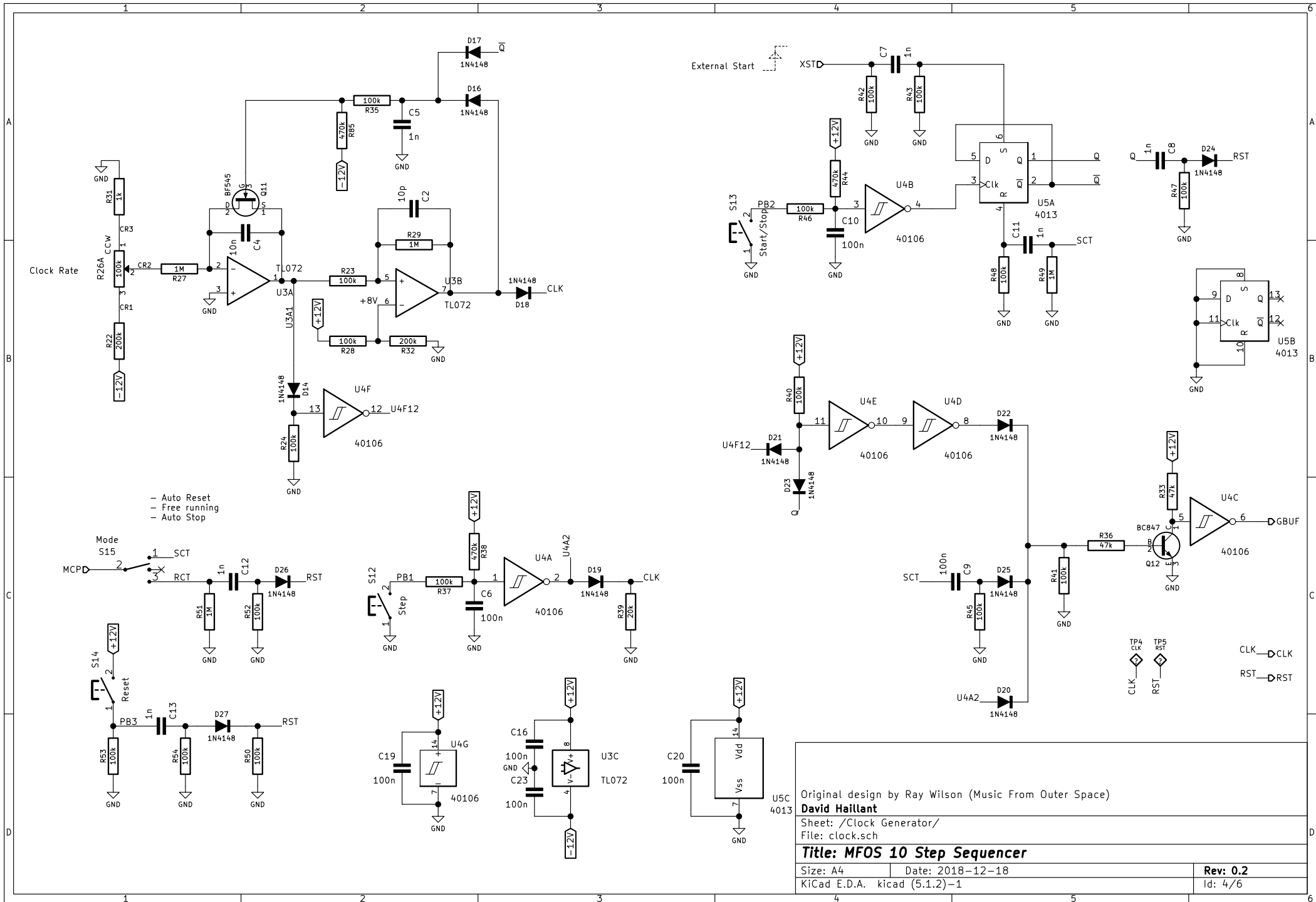
KiCad E.D.A. kicad (5.1.2)-1

Id: 2/6

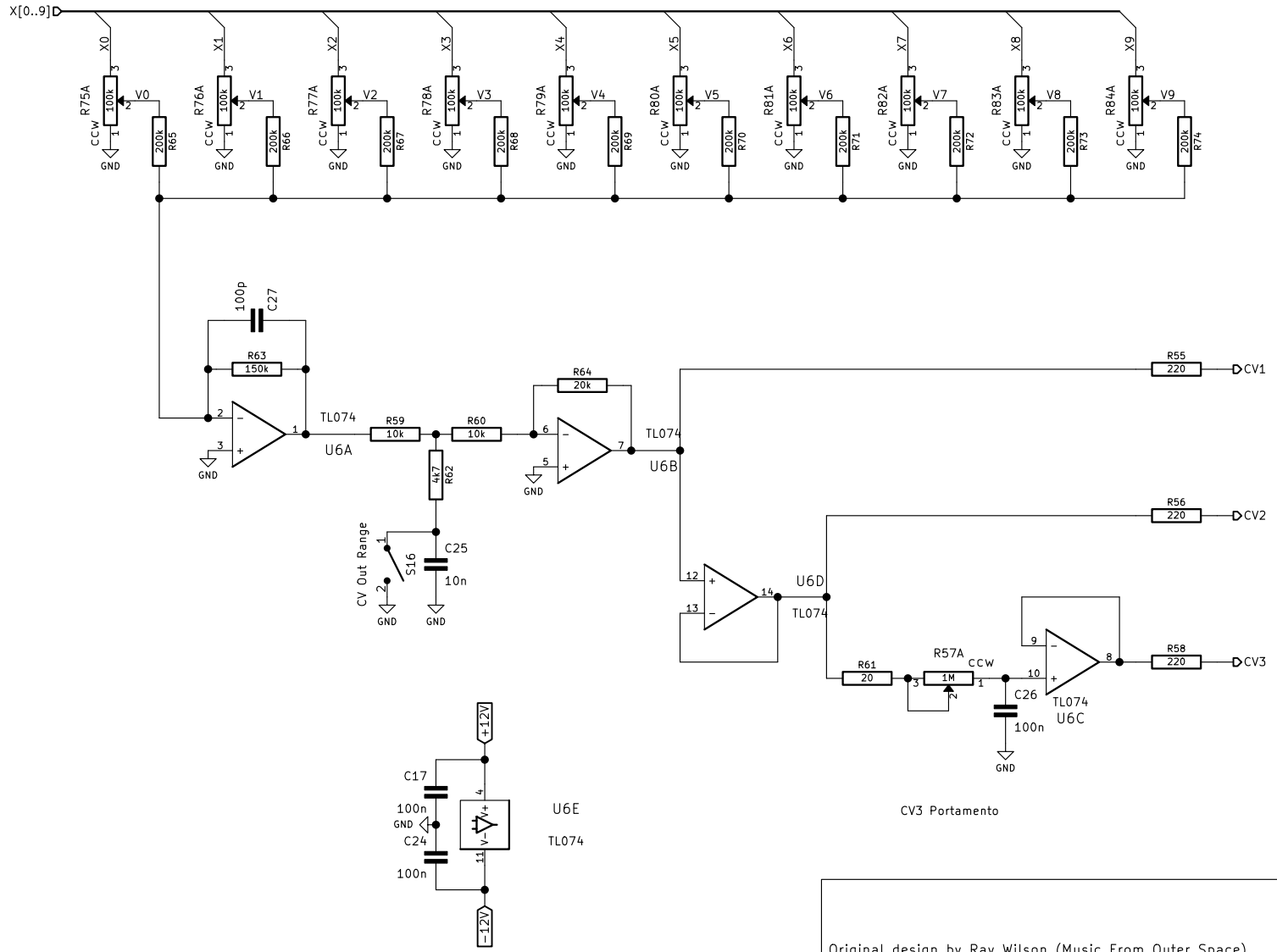


Rotary switch mounting hole

| | | |
|--|------------------|----------|
| Original design by Ray Wilson (Music From Outer Space) | | |
| David Hailant | | |
| Sheet: /Sequencer/ | | |
| File: sequencer.sch | | |
| Title: MFOS 10 Step Sequencer | | |
| Size: A4 | Date: 2018-12-18 | Rev: 0.2 |
| KiCad E.D.A. kicad (5.1.2)-1 | | Id: 3/6 |



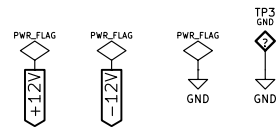
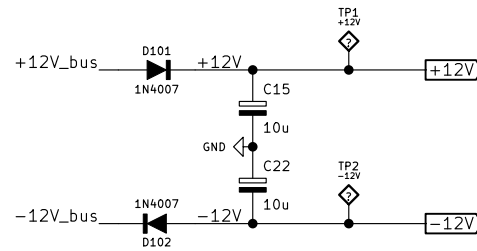
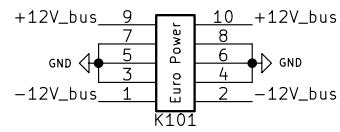
Original design by Ray Wilson (Music From Outer Space)
David Hailant
 Sheet: /Clock Generator/
 File: clock.sch
Title: MFOS 10 Step Sequencer
 Size: A4 | Date: 2018-12-18 | Rev: 0.2
 KiCad E.D.A. kicad (5.1.2)-1 | Id: 4/6



Original design by Ray Wilson (Music From Outer Space)
David Hailant
 Sheet: /CV Array/
 File: cv_array.sch

Title: MFOS 10 Step Sequencer

| | | |
|------------------------------|------------------|-----------------|
| Size: A4 | Date: 2018-12-18 | Rev: 0.2 |
| KiCad E.D.A. kicad (5.1.2)-1 | | Id: 5/6 |



Original design by Ray Wilson (Music From Outer Space)

David Hailant

Sheet: /Power/

File: power.sch

Title: MFOS 10 Step Sequencer

Size: A4 Date: 2018-12-18

Rev: 0.2

KiCad E.D.A. kicad (5.1.2)-1

Id: 6/6