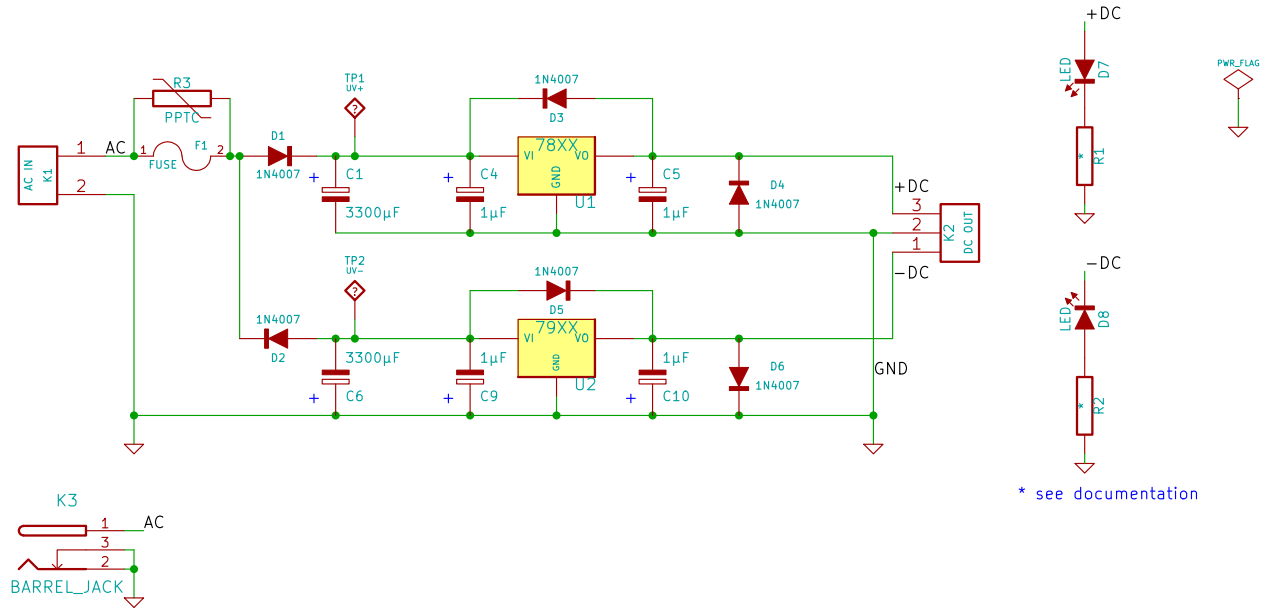


**Warning!**  
 Only use AC input voltage!  
 Be careful not to short input voltage: one of the AC input connector pins is Ground!



<a href="http://www.davidhailant.com">http://www.davidhailant.com</a>	
David Hailant	
File: wallwart.sch	
Sheet: /	
Title: Mini Dual Power Supply	
Size: A4	Date: 2 mar 2016
KiCad E.D.A.	Rev: 2.2
	Id: 1/1